



Chipsmall Limited consists of a professional team with an average of over 10 year of expertise in the distribution of electronic components. Based in Hongkong, we have already established firm and mutual-benefit business relationships with customers from,Europe,America and south Asia,supplying obsolete and hard-to-find components to meet their specific needs.

With the principle of “Quality Parts,Customers Priority,Honest Operation,and Considerate Service”,our business mainly focus on the distribution of electronic components. Line cards we deal with include Microchip,ALPS,ROHM,Xilinx,Pulse,ON,Everlight and Freescale. Main products comprise IC,Modules,Potentiometer,IC Socket,Relay,Connector.Our parts cover such applications as commercial,industrial, and automotives areas.

We are looking forward to setting up business relationship with you and hope to provide you with the best service and solution. Let us make a better world for our industry!



Contact us

Tel: +86-755-8981 8866 Fax: +86-755-8427 6832

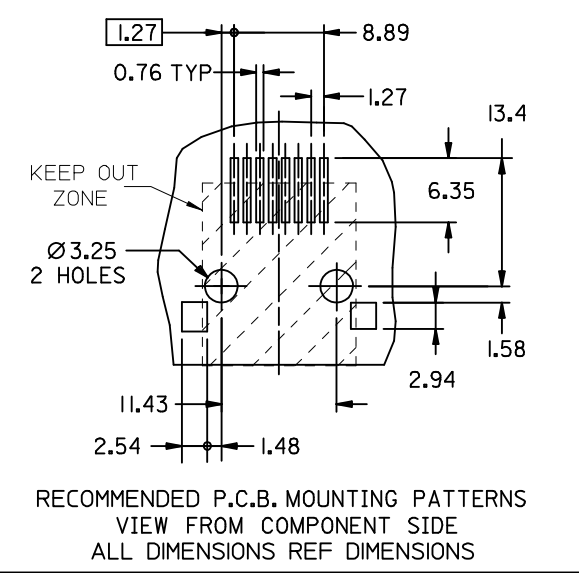
Email & Skype: info@chipsmall.com Web: www.chipsmall.com

Address: A1208, Overseas Decoration Building, #122 Zhenhua RD., Futian, Shenzhen, China



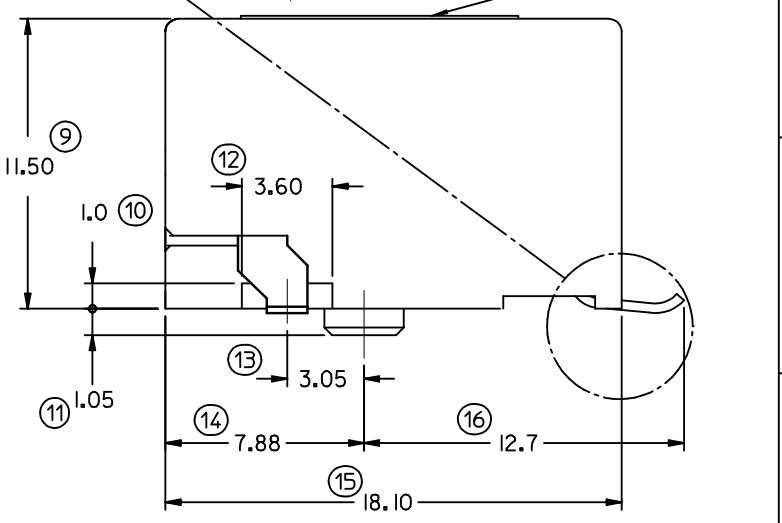
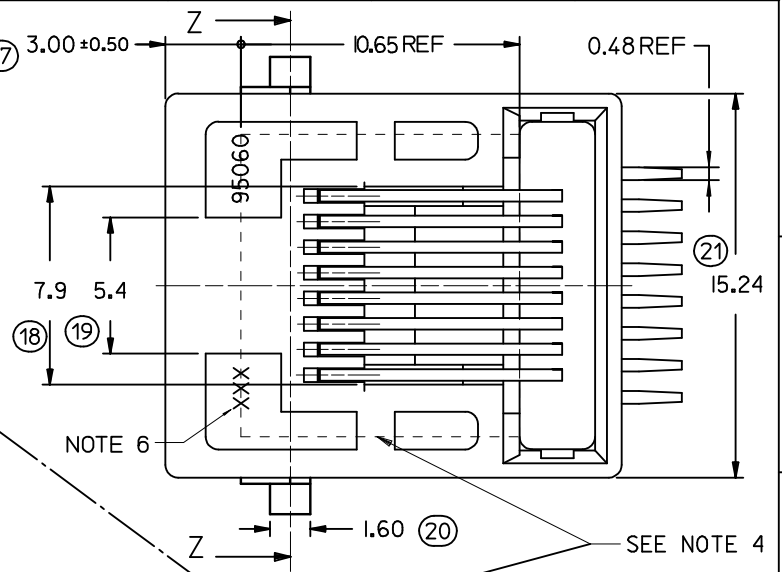
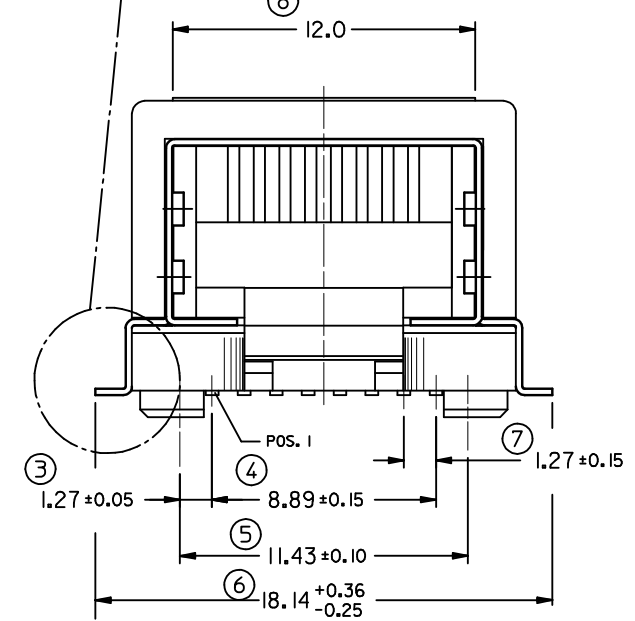
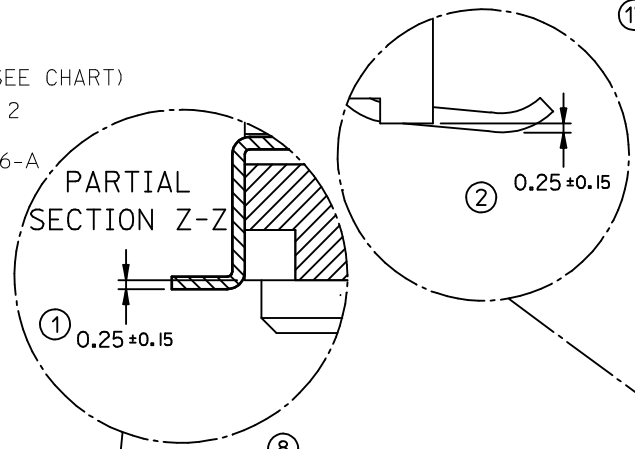
NOTES:

- 1- COPLANARITY OF LEADS : 0.10 MAX.
COPLANARITY OF SHIELD TABS: 0.10 MAX.
- 2- PACKAGING SPECIFICATION : BLISTER ON REEL (SEE CHART)
- 3- PRODUCT SPECIFICATION : MOLEX PS-95540-00 2
- 4- KAPTON ADHESIVE FOIL: 0.125 THICK.
- 5- JACK FOR MATING WITH IEC 60603-7 AND TIA-1096-A PLUGS 95043 MOLEX SERIES.
- 6- MANUFACTURING I.D. CAN BE EITHER MXF, MG OR MXI.
LAST INSPECTION NUMBER: 21



PACKAGING		
PART NUMBER	REEL SIZE	SPECIFICATION
95540-6886	330	PK-85502 SHT 1
95540-6888	559	PK-85502 SHT 3

MATERIAL:
HOUSING: LCP GLASS FILLED UL 94V0, COLOR: BLACK
TERMINAL: COPPER ALLOY PLATED WITH:
BASE FINISH: NICKEL
CONTACT SURFACE FINISH:
GOLD
OR
GOLD FLASH OVER PALLADIUM NICKEL
EXCEEDS PRODUCT REQUIREMENTS BASED ON PS-95540-002
SHIELD: COPPER ALLOY PLATED WITH TIN



REMOVED OPTIONS	DESCRIPTION	QUALITY SYMBOLS
EC NO: IPG2012-0697	2012/04/02	▽=0
DRW:DBYR/ES	2012/04/17	∇=0
CHKD:FDUGAN	2012/06/26	
APPR:EFOLAN		

GENERAL TOLERANCES (UNLESS SPECIFIED)	
mm	INCH
4 PLACES ± ---	± ---
3 PLACES ± ---	± ---
2 PLACES ± 0.1	± ---
1 PLACE ± 0.15	± ---
ANGULAR ± 1/2°	

DRAFT WHERE APPLICABLE
MUST REMAIN
WITHIN DIMENSIONS

DIMENSION STYLE	
MM ONLY	
DRAWN BY	DATE
KNOLLER	04/06/18
CHECKED BY	DATE
FCARABET	04/06/28
APPROVED BY	DATE
KNOLLER	04/06/29
MATERIAL NO.	
SEE CHART	
SIZE	A3

SCALE	DESIGN UNITS	THIRD ANGLE PROJECTION
5:1	METRIC	⊙
TITLE		
RIGHT ANGLE LOW PROFILE SHIELDED PC JACK (SURFACE MOUNT VERSION)		
MOLEX INCORPORATED		
DOCUMENT NO.		SHEET NO.
SD-95540-001		2 OF 3
THIS DRAWING CONTAINS INFORMATION THAT IS PROPRIETARY TO MOLEX INCORPORATED AND SHOULD NOT BE USED WITHOUT WRITTEN PERMISSION		