



Chipsmall Limited consists of a professional team with an average of over 10 year of expertise in the distribution of electronic components. Based in Hongkong, we have already established firm and mutual-benefit business relationships with customers from,Europe,America and south Asia,supplying obsolete and hard-to-find components to meet their specific needs.

With the principle of "Quality Parts,Customers Priority,Honest Operation,and Considerate Service",our business mainly focus on the distribution of electronic components. Line cards we deal with include Microchip,ALPS,ROHM,Xilinx,Pulse,ON,Everlight and Freescale. Main products comprise IC,Modules,Potentiometer,IC Socket,Relay,Connector.Our parts cover such applications as commercial,industrial, and automotives areas.

We are looking forward to setting up business relationship with you and hope to provide you with the best service and solution. Let us make a better world for our industry!



## Contact us

Tel: +86-755-8981 8866 Fax: +86-755-8427 6832

Email & Skype: info@chipsmall.com Web: www.chipsmall.com

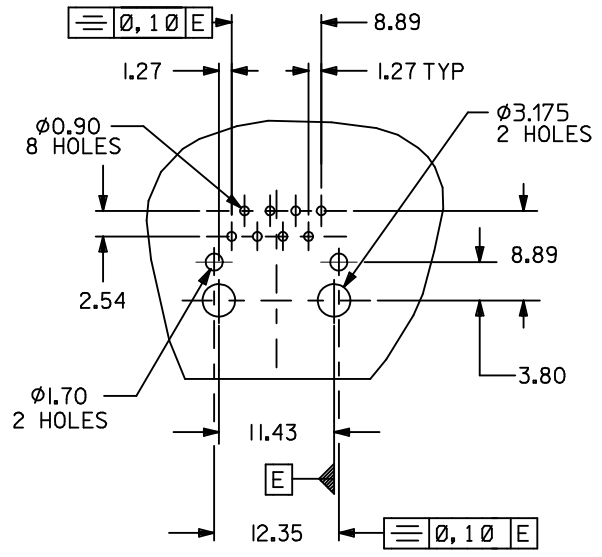
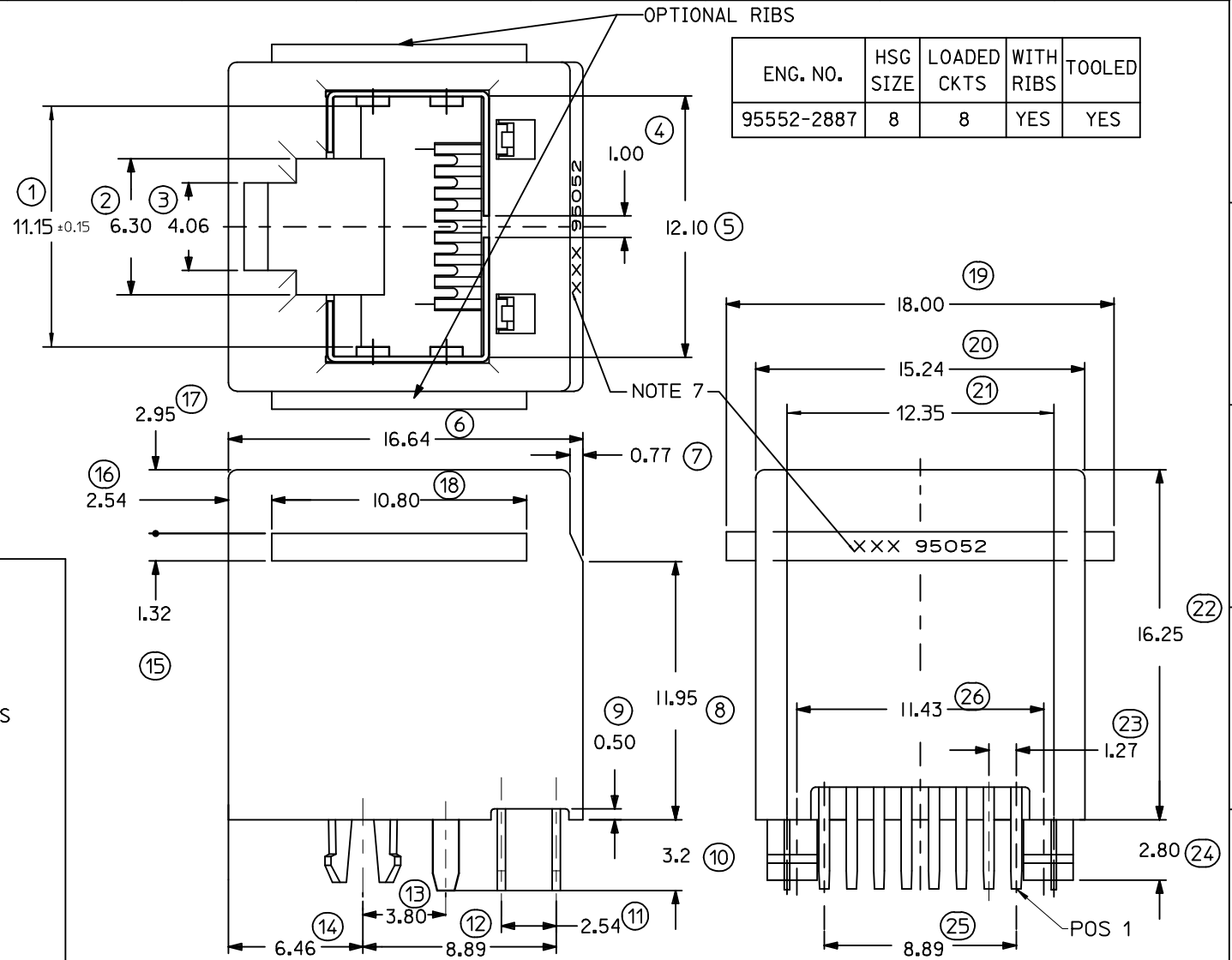
Address: A1208, Overseas Decoration Building, #122 Zhenhua RD., Futian, Shenzhen, China



NOTES:

- 1- MATERIAL: HOUSING: LCP GLASS FILLED UL94-V0  
COLOUR: BLACK  
TERMINAL: COPPER ALLOY,  
BASE FINISH: NICKEL  
CONTACT SURFACE FINISH:  
GOLD,  
OR  
GOLD FLASH OVER PALLADIUM NICKEL.  
EXCEEDS PRODUCT REQUIREMENTS BASED ON PS-95552-001  
SHIELD: COPPER ALLOY PLATED WITH TIN .
- 2- JACK FOR MATING WITH IEC 60603-7 AND TIA-1096-A PLUG  
MOLEX 95043 SERIES
- 3- P.C.BOARD THICKNESS: 1.57
- 4- PRODUCT SPECIFICATION: PS-95552-001
- 5- APPLICATION SPECIFICATION: AS-85513-001
- 6- PACKAGING SPECIFICATION: PK-95022
- 7- MANUFACTURING I.D. CAN BE EITHER MG, MXF OR MXI.
- 8- LAST INSPECTION NUMBER 26

ENG. NO.	HSG SIZE	LOADED CKTS	WITH RIBS	TOOLED
95552-2887	8	8	YES	YES



P.C.B. MOUNTING PATTERNS  
(SCALE 2 : 1)  
VIEW FROM COMPONENT SIDE  
ALL DIMENSIONS REFERENCE ONLY

CHANGED PRODUCT SPEC EC NO: IPG2013-0660 DRAWN: DBYRNES 2012/11/02 CHKD: SMCREEVY 2012/11/07 APPR: STORIFFIN 2012/11/09	QUALITY SYMBOLS	GENERAL TOLERANCES (UNLESS SPECIFIED)		DIMENSION STYLE		SCALE	DESIGN UNITS	THIRD ANGLE PROJECTION	
	▽=0 ∇=0	mm	INCH	MM/IN		1:1	METRIC	TOP ENTRY SHIELDED JACK W.E. TYPE	
		4 PLACES ± --- ± ---	3 PLACES ± --- ± 0.10	DRAWN BY	DATE	TITLE			
		2 PLACES ± 0.25 ± 0.14	1 PLACE ± 0.35 ± ---	CHECKED BY	DATE	TOP ENTRY SHIELDED JACK W.E. TYPE			
		ANGULAR ± 2 °		APPROVED BY	DATE	MOLEX INCORPORATED			
		DRAFT WHERE APPLICABLE MUST REMAIN WITHIN DIMENSIONS		MATERIAL NO.	DATE	DOCUMENT NO.		SHEET NO.	
				SEE CHART	2007/02/28	SD-95552-001		1 OF 1	
		THIS DRAWING CONTAINS INFORMATION THAT IS PROPRIETARY TO MOLEX INCORPORATED AND SHOULD NOT BE USED WITHOUT WRITTEN PERMISSION							