



Chipsmall Limited consists of a professional team with an average of over 10 year of expertise in the distribution of electronic components. Based in Hongkong, we have already established firm and mutual-benefit business relationships with customers from,Europe,America and south Asia,supplying obsolete and hard-to-find components to meet their specific needs.

With the principle of “Quality Parts,Customers Priority,Honest Operation,and Considerate Service”,our business mainly focus on the distribution of electronic components. Line cards we deal with include Microchip,ALPS,ROHM,Xilinx,Pulse,ON,Everlight and Freescale. Main products comprise IC,Modules,Potentiometer,IC Socket,Relay,Connector.Our parts cover such applications as commercial,industrial, and automotives areas.

We are looking forward to setting up business relationship with you and hope to provide you with the best service and solution. Let us make a better world for our industry!



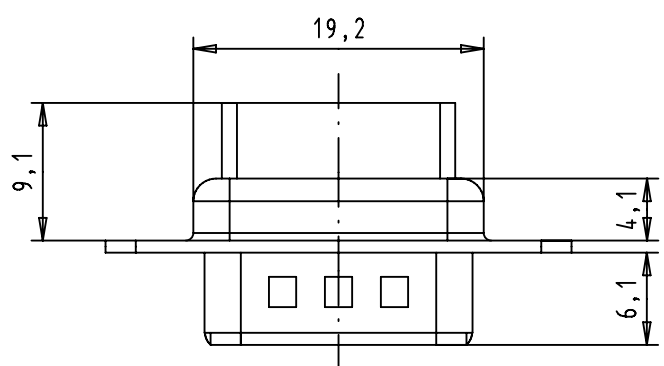
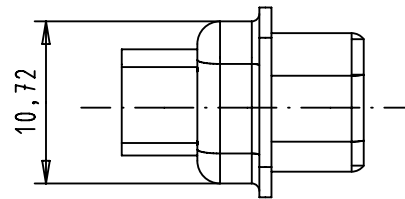
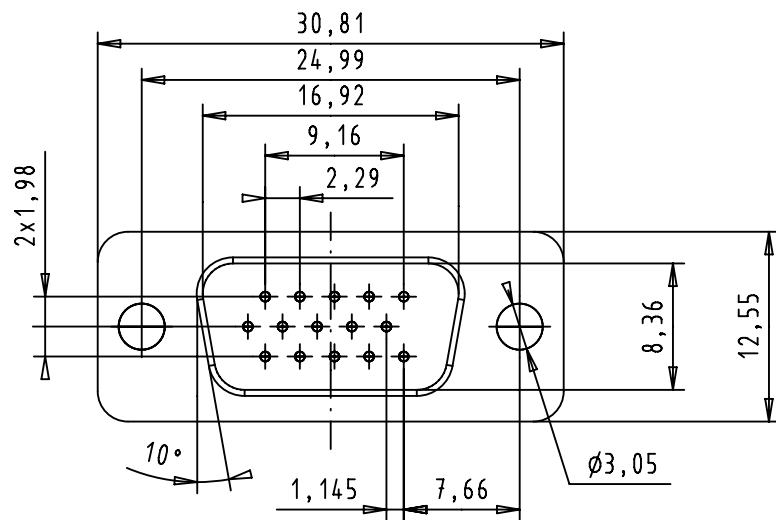
## Contact us

Tel: +86-755-8981 8866 Fax: +86-755-8427 6832

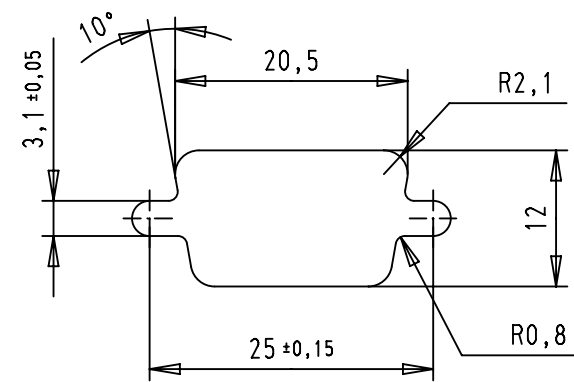
Email & Skype: info@chipsmall.com Web: www.chipsmall.com


Address: A1208, Overseas Decoration Building, #122 Zhenhua RD., Futian, Shenzhen, China





Panel cut out



	All rights reserved		Created by DOUGE		Inspected by BAGDIKIAN		Standardisation HOFFMANN		Date 2012-09-12		State Final Release	
	Department EC PD - FR		Title D-Sub HD 15P male for crimp contacts		Number 09561005601		Doc-Key / ECM-Nr. 100513473/UGD/001/A 500000055151		Rev. A		Page 1/1	
HARTING Electronics GmbH & Co. KG D-32339 Espelkamp			All Dimensions in mm Original Size DIN A4		Scale 2:1 Free size tol.		Ref. Sub.					