



Chipsmall Limited consists of a professional team with an average of over 10 year of expertise in the distribution of electronic components. Based in Hongkong, we have already established firm and mutual-benefit business relationships with customers from,Europe,America and south Asia,supplying obsolete and hard-to-find components to meet their specific needs.

With the principle of “Quality Parts,Customers Priority,Honest Operation,and Considerate Service”,our business mainly focus on the distribution of electronic components. Line cards we deal with include Microchip,ALPS,ROHM,Xilinx,Pulse,ON,Everlight and Freescale. Main products comprise IC,Modules,Potentiometer,IC Socket,Relay,Connector.Our parts cover such applications as commercial,industrial, and automotives areas.

We are looking forward to setting up business relationship with you and hope to provide you with the best service and solution. Let us make a better world for our industry!



Contact us

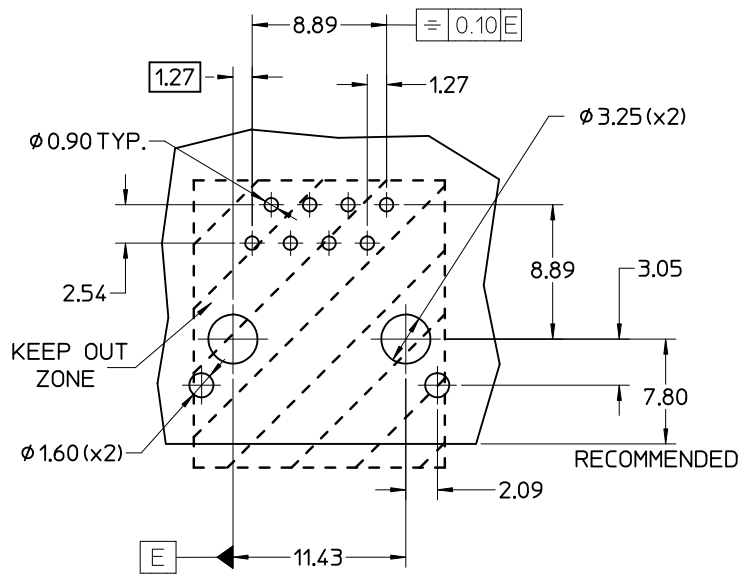
Tel: +86-755-8981 8866 Fax: +86-755-8427 6832

Email & Skype: info@chipsmall.com Web: www.chipsmall.com

Address: A1208, Overseas Decoration Building, #122 Zhenhua RD., Futian, Shenzhen, China



PART No.	PACKAGING SPEC.
95622-3981	PK-95122-006



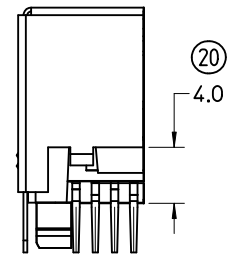
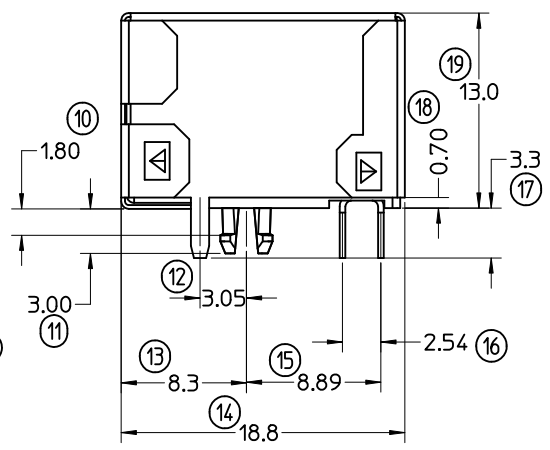
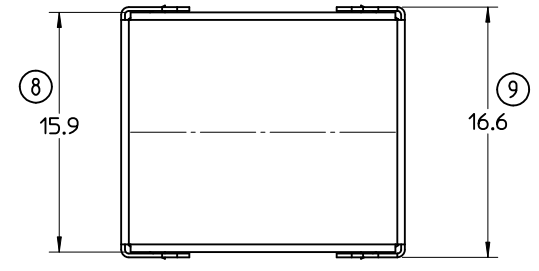
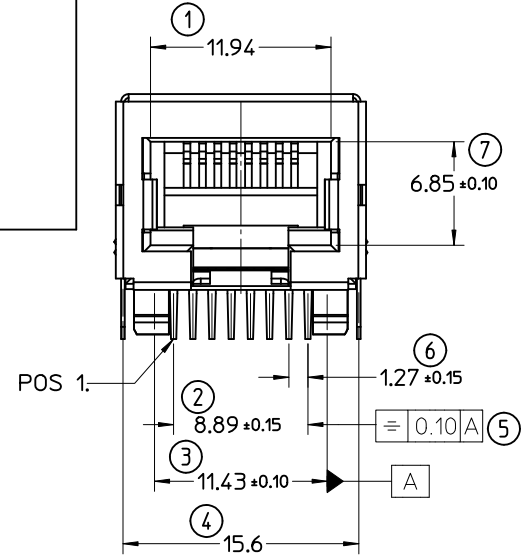
RECOMMENDED P.C.B LAYOUT
VIEW FROM COMPONENT SIDE
ALL DIMENSIONS REF DIMENSIONS

TECHNICAL SPECIFICATIONS:

MATERIAL:
HOUSING: LCP GLASS FILLED UL 94V-0, COLOUR BLACK.
TERMINAL: COPPER ALLOY PLATED WITH:
BASE FINISH: NICKEL
CONTACT SURFACE FINISH:
GOLD
OR
GOLD FLASH OVER PALLADIUM NICKEL.
EXCEEDS PRODUCT REQUIREMENTS BASED ON PS-95622-001
SHIELD: COPPER ALLOY PLATED WITH TIN

- NOTES:**
- JACK FOR MATING WITH SHIELDED PLUG MOLEX 95043 AND 85568 SERIES.
 - PRODUCT SPECIFICATION: MOLEX PS-95622-001.
 - P.C.B. THICKNESS: 1.57
 - PACKAGING SPECIFICATION: SEE CHART. TUBE PACKAGING.
 - APPLICATION SPECIFICATION: AS-85513-001
 - RECOMMENDED PCB THICKNESS 1.57

LAST INSPECTION No: 20



PARTIAL 1
Scale 3:1

REMOVE OPTION EC NO: IPG2012-0746 DRWN: DBYRNES 2012/04/17 CHKD: APPR: EFOLAN 2012/06/26 REV	QUALITY SYMBOLS	GENERAL TOLERANCES (UNLESS SPECIFIED)	DIMENSION STYLE	SCALE	DESIGN UNITS	THIRD ANGLE PROJECTION	
	▽=0 ∇=0	mm INCH	MM ONLY	3:1	METRIC		
		4 PLACES ± --- ± --- 3 PLACES ± --- ± --- 2 PLACES ± 0.25 ± --- 1 PLACE ± 0.35 ± ---	DRAWN BY DATE D. BYRNES 2006/07/27	TITLE FULLY SHIELDED R/A MODULAR JACK 8 CKTS THROUGH HOLE-VERSION LCP			
		ANGULAR ± 2 °	CHECKED BY DATE EOMAHONY 2006/07/28	MOLEX INCORPORATED			
		DRAFT WHERE APPLICABLE MUST REMAIN WITHIN DIMENSIONS	APPROVED BY DATE EOMAHONY 2006/07/28	MATERIAL NO.	DOCUMENT NO.	SHEET NO.	
			SEE CHART	SD-95622-003		1 OF 1	
			SIZE A3	THIS DRAWING CONTAINS INFORMATION THAT IS PROPRIETARY TO MOLEX INCORPORATED AND SHOULD NOT BE USED WITHOUT WRITTEN PERMISSION			