



Chipsmall Limited consists of a professional team with an average of over 10 year of expertise in the distribution of electronic components. Based in Hongkong, we have already established firm and mutual-benefit business relationships with customers from,Europe,America and south Asia,supplying obsolete and hard-to-find components to meet their specific needs.

With the principle of “Quality Parts,Customers Priority,Honest Operation,and Considerate Service”,our business mainly focus on the distribution of electronic components. Line cards we deal with include Microchip,ALPS,ROHM,Xilinx,Pulse,ON,Everlight and Freescale. Main products comprise IC,Modules,Potentiometer,IC Socket,Relay,Connector.Our parts cover such applications as commercial,industrial, and automotives areas.

We are looking forward to setting up business relationship with you and hope to provide you with the best service and solution. Let us make a better world for our industry!



Contact us

Tel: +86-755-8981 8866 Fax: +86-755-8427 6832

Email & Skype: info@chipsmall.com Web: www.chipsmall.com

Address: A1208, Overseas Decoration Building, #122 Zhenhua RD., Futian, Shenzhen, China



TECHNICAL SPECIFICATIONS:

1- MATERIAL: HOUSING: LCP GLASS FILLED UL 94 V-0 COLOR : BLACK

TERMINAL : COPPER ALLOY PLATED WITH
BASE FINISH: NICKEL

CONTACT SURFACE FINISH:

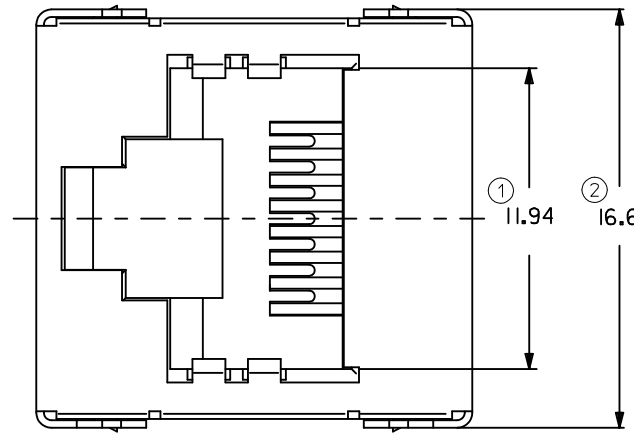
GOLD,

OR

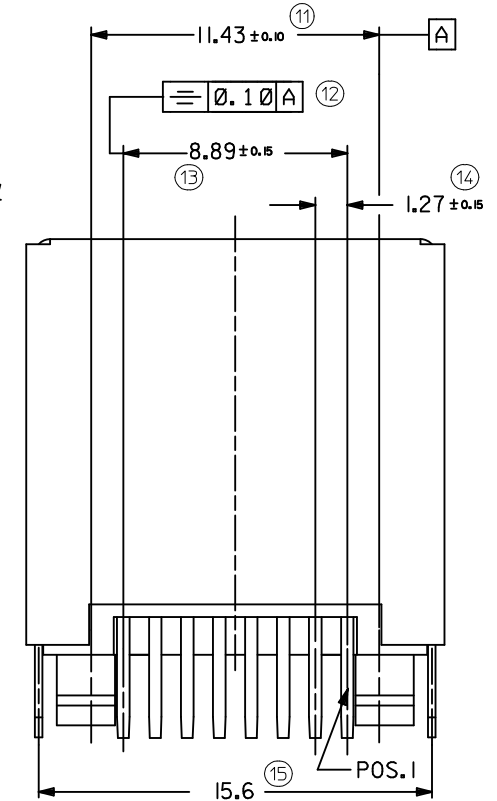
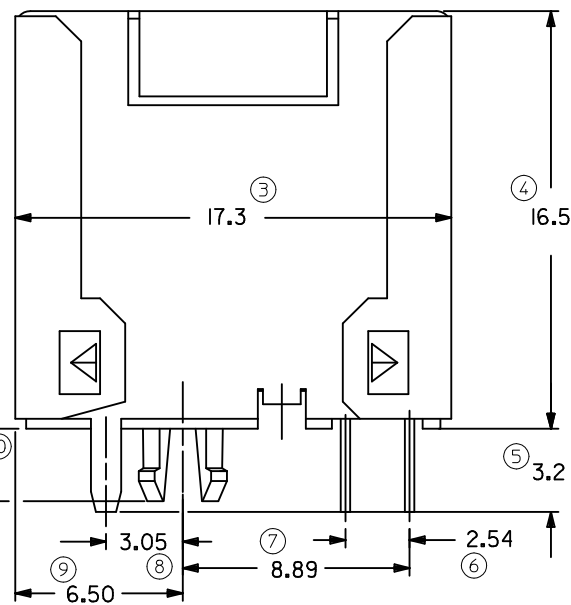
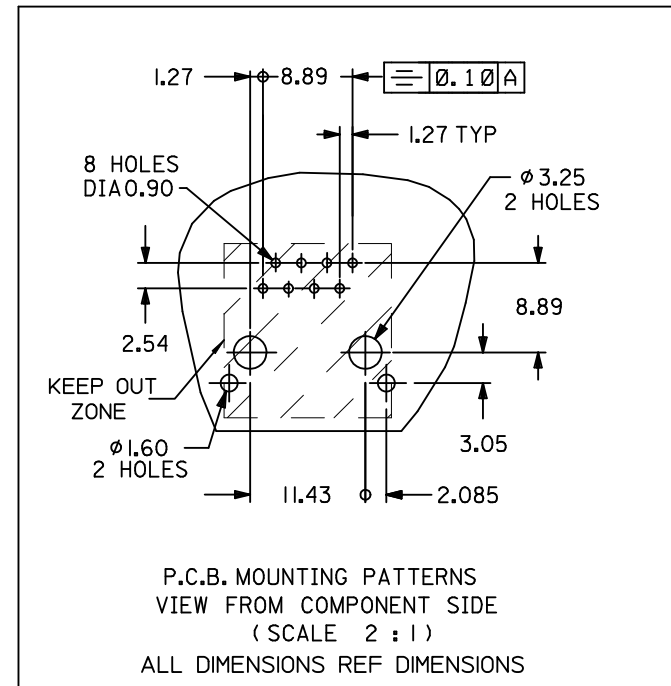
GOLD FLASH OVER PALLADIUM NICKEL.

EXCEEDS PRODUCT REQUIREMENTS BASED ON PS-95623-001

SHIELD : COPPER ALLOY PLATED WITH TIN.



PART NUMBER	TOOLED	PCB THICKNESS
95623-2881	YES	1.57



NOTES :

- 1- JACK FOR MATING WITH IEC 60603-7 AND TIA-1096-A PLUGS 95043 MOLEX SERIES.
- 2- PRODUCT SPECIFICATION: MOLEX PS-95623-001.
- 3- PACKAGING SPECIFICATION: MOLEX PK-95123.
- 4- P.C. BOARD THICKNESS (SEE CHART)

LAST INSPECTION NUMBER: 15

EDITED NOTES EC NO: IPG2012-0705 DRW: DBYRNES 2012/04/03 CHKD: SMCREEVY 2012/04/17 APPR: EFOLAN 2012/06/28	QUALITY SYMBOLS	GENERAL TOLERANCES (UNLESS SPECIFIED)	DIMENSION STYLE	SCALE	DESIGN UNITS	THIRD ANGLE PROJECTION	
	▽=0 ◻=0	mm INCH 4 PLACES ± --- ± --- 3 PLACES ± --- ± --- 2 PLACES ± 0.25 ± --- 1 PLACE ± 0.35 ± --- ANGULAR ± 1/2°	MM ONLY	5:1	METRIC	☉ □ THIRD ANGLE PROJECTION	
	DRAWN BY: D.BYRNES CHECKED BY: EOMAHONY APPROVED BY: EOMAHONY	DATE: 2006/11/14 DATE: 2006/11/15 DATE: 2006/11/15	MATERIAL NO. SEE CHART	TITLE FULLY SHIELDED TOP ENTRY MODULAR JACK 8 CKTS (THROUGH HOLE VERSION)	DOCUMENT NO. SD-95623-001	SHEET NO. 1 OF 1	MOLEX INCORPORATED
	DRAFT WHERE APPLICABLE MUST REMAIN WITHIN DIMENSIONS	SIZE A3	THIS DRAWING CONTAINS INFORMATION THAT IS PROPRIETARY TO MOLEX INCORPORATED AND SHOULD NOT BE USED WITHOUT WRITTEN PERMISSION				