



Chipsmall Limited consists of a professional team with an average of over 10 year of expertise in the distribution of electronic components. Based in Hongkong, we have already established firm and mutual-benefit business relationships with customers from,Europe,America and south Asia,supplying obsolete and hard-to-find components to meet their specific needs.

With the principle of "Quality Parts,Customers Priority,Honest Operation,and Considerate Service",our business mainly focus on the distribution of electronic components. Line cards we deal with include Microchip,ALPS,ROHM,Xilinx,Pulse,ON,Everlight and Freescale. Main products comprise IC,Modules,Potentiometer,IC Socket,Relay,Connector.Our parts cover such applications as commercial,industrial, and automotives areas.

We are looking forward to setting up business relationship with you and hope to provide you with the best service and solution. Let us make a better world for our industry!



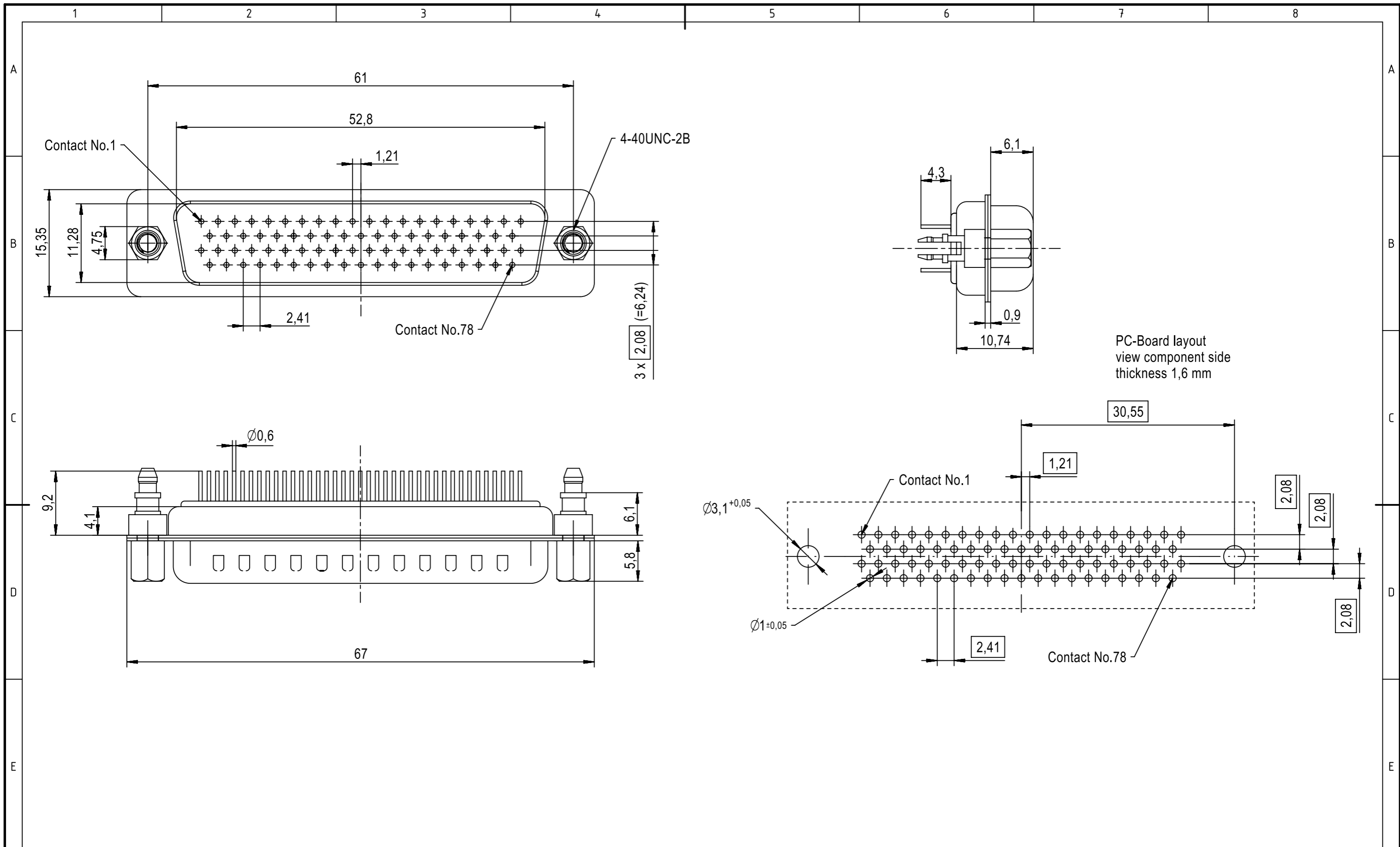
Contact us

Tel: +86-755-8981 8866 Fax: +86-755-8427 6832

Email & Skype: info@chipsmall.com Web: www.chipsmall.com

Address: A1208, Overseas Decoration Building, #122 Zhenhua RD., Futian, Shenzhen, China





PC-Board layout
view component side
thickness 1,6 mm

09565615713	S4
09565617713	3
Part number	Performance level

	All rights reserved		Created by DOUGE		Inspected by BAGDIKIAN		Standardisation HOFFMANN		Date 2013-10-25		State Final Release	
	Department EC PD - FR		Title D-Sub HD 78P male straight screw locks		Doc-Key / ECM-Nr. 100513382/UGD/001/B 50000065862		Type TB		Number 0956561X713		Rev. B	
HARTING Electronics GmbH		D-32339 Espelkamp								Page 1/1		