



Chipsmall Limited consists of a professional team with an average of over 10 year of expertise in the distribution of electronic components. Based in Hongkong, we have already established firm and mutual-benefit business relationships with customers from,Europe,America and south Asia,supplying obsolete and hard-to-find components to meet their specific needs.

With the principle of “Quality Parts,Customers Priority,Honest Operation,and Considerate Service”,our business mainly focus on the distribution of electronic components. Line cards we deal with include Microchip,ALPS,ROHM,Xilinx,Pulse,ON,Everlight and Freescale. Main products comprise IC,Modules,Potentiometer,IC Socket,Relay,Connector.Our parts cover such applications as commercial,industrial, and automotives areas.

We are looking forward to setting up business relationship with you and hope to provide you with the best service and solution. Let us make a better world for our industry!



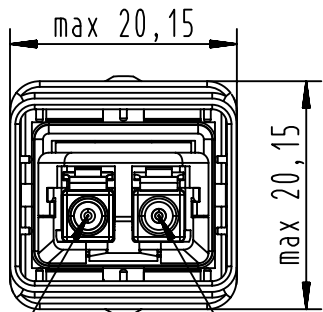
Contact us

Tel: +86-755-8981 8866 Fax: +86-755-8427 6832

Email & Skype: info@chipsmall.com Web: www.chipsmall.com

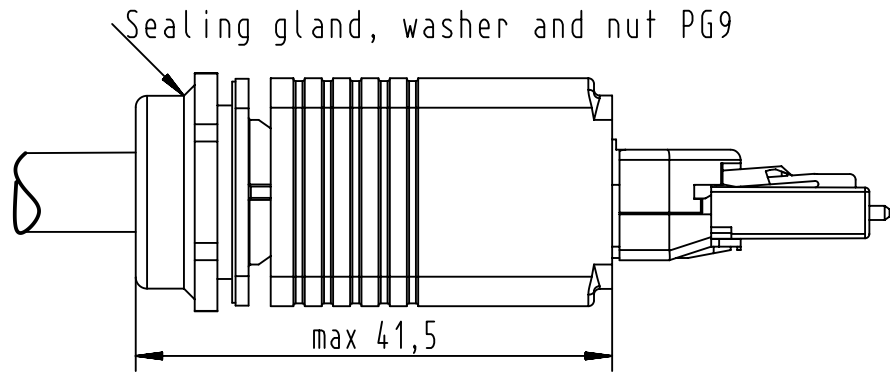
Address: A1208, Overseas Decoration Building, #122 Zhenhua RD., Futian, Shenzhen, China





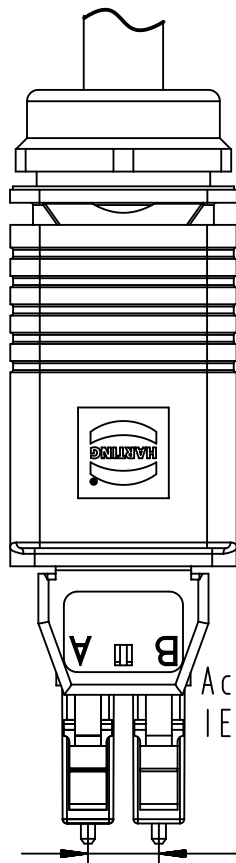
LC Multimode Connector A

LC Multimode Connector B



Sealing gland, washer and nut PG9

max 41,5



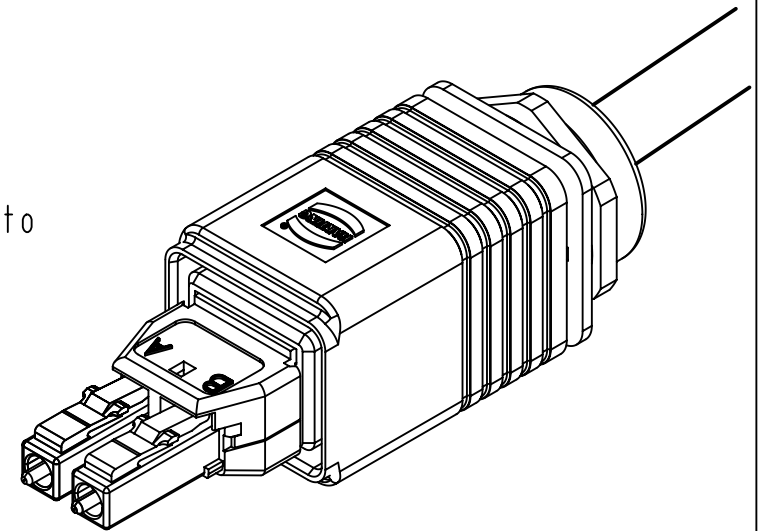
According to IEC 61754-20

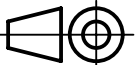

(6,25)

LC fibre optic mating according to IEC 61754-20

Cable outer diameter from 5.8mm to 7.2mm

Plug according to 61076-3-106 IEC-variant 04



	All Dimensions in mm Original Size DIN A4	Scale	Free size tol.		Ref.	
		1.5:1			Sub.	
	All rights reserved Department EC PD - FR	Created by	Inspected by	Standardisation	Date	State
		MAILLARDS	DE VANSAY	HOFFMANN	2012-10-19	Final Release
HARTING Electronics GmbH D-32339 Espelkamp		Title			Doc-Key / ECM-Nr.	
		Set PP LC duplex MM GOF			100103901/UGD/004/B 5300000856881	
		Type	Number		Rev.	Page
		TB	09574020500		B	1/1