



Chipsmall Limited consists of a professional team with an average of over 10 year of expertise in the distribution of electronic components. Based in Hongkong, we have already established firm and mutual-benefit business relationships with customers from,Europe,America and south Asia,supplying obsolete and hard-to-find components to meet their specific needs.

With the principle of “Quality Parts,Customers Priority,Honest Operation,and Considerate Service”,our business mainly focus on the distribution of electronic components. Line cards we deal with include Microchip,ALPS,ROHM,Xilinx,Pulse,ON,Everlight and Freescale. Main products comprise IC,Modules,Potentiometer,IC Socket,Relay,Connector.Our parts cover such applications as commercial,industrial, and automotives areas.

We are looking forward to setting up business relationship with you and hope to provide you with the best service and solution. Let us make a better world for our industry!



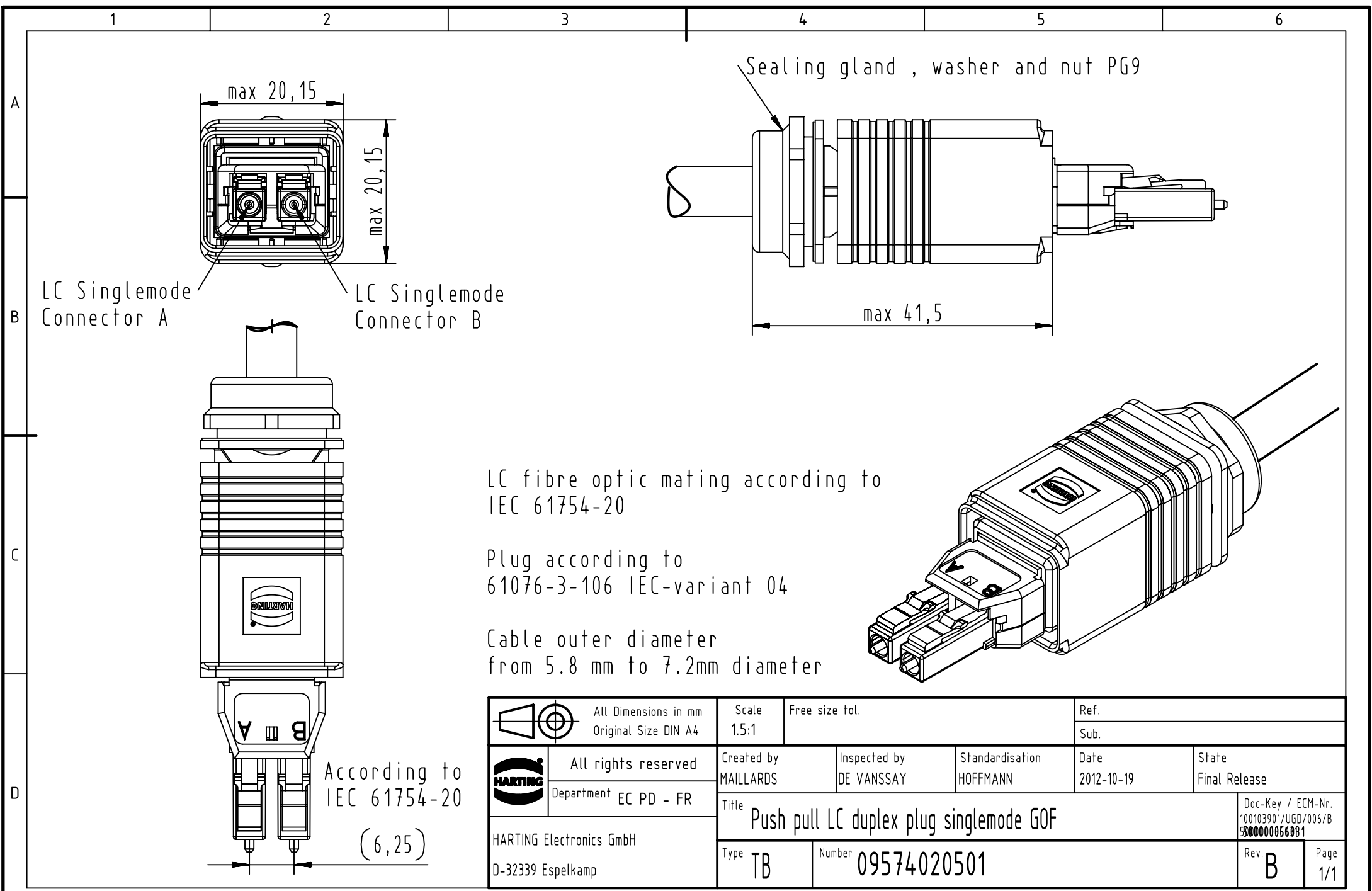
Contact us

Tel: +86-755-8981 8866 Fax: +86-755-8427 6832

Email & Skype: info@chipsmall.com Web: www.chipsmall.com

Address: A1208, Overseas Decoration Building, #122 Zhenhua RD., Futian, Shenzhen, China





LC Singlemode Connector A LC Singlemode Connector B

Sealing gland , washer and nut PG9

LC fibre optic mating according to IEC 61754-20

Plug according to 61076-3-106 IEC-variant 04

Cable outer diameter from 5.8 mm to 7.2mm diameter

According to IEC 61754-20

(6,25)

	All Dimensions in mm Original Size DIN A4		Scale 1.5:1	Free size tol.		Ref. Sub.	
		All rights reserved Department EC PD - FR	Created by MAILLARDS	Inspected by DE VANSAY	Standardisation HOFFMANN	Date 2012-10-19	State Final Release
HARTING Electronics GmbH D-32339 Espelkamp		Title Push pull LC duplex plug singlemode GOF			Doc-Key / ECM-Nr. 100103901/UGD/006/B 5300000856881		
			Type TB	Number 09574020501		Rev. B	Page 1/1