



Chipsmall Limited consists of a professional team with an average of over 10 year of expertise in the distribution of electronic components. Based in Hongkong, we have already established firm and mutual-benefit business relationships with customers from,Europe,America and south Asia,supplying obsolete and hard-to-find components to meet their specific needs.

With the principle of “Quality Parts,Customers Priority,Honest Operation,and Considerate Service”,our business mainly focus on the distribution of electronic components. Line cards we deal with include Microchip,ALPS,ROHM,Xilinx,Pulse,ON,Everlight and Freescale. Main products comprise IC,Modules,Potentiometer,IC Socket,Relay,Connector.Our parts cover such applications as commercial,industrial, and automotives areas.

We are looking forward to setting up business relationship with you and hope to provide you with the best service and solution. Let us make a better world for our industry!



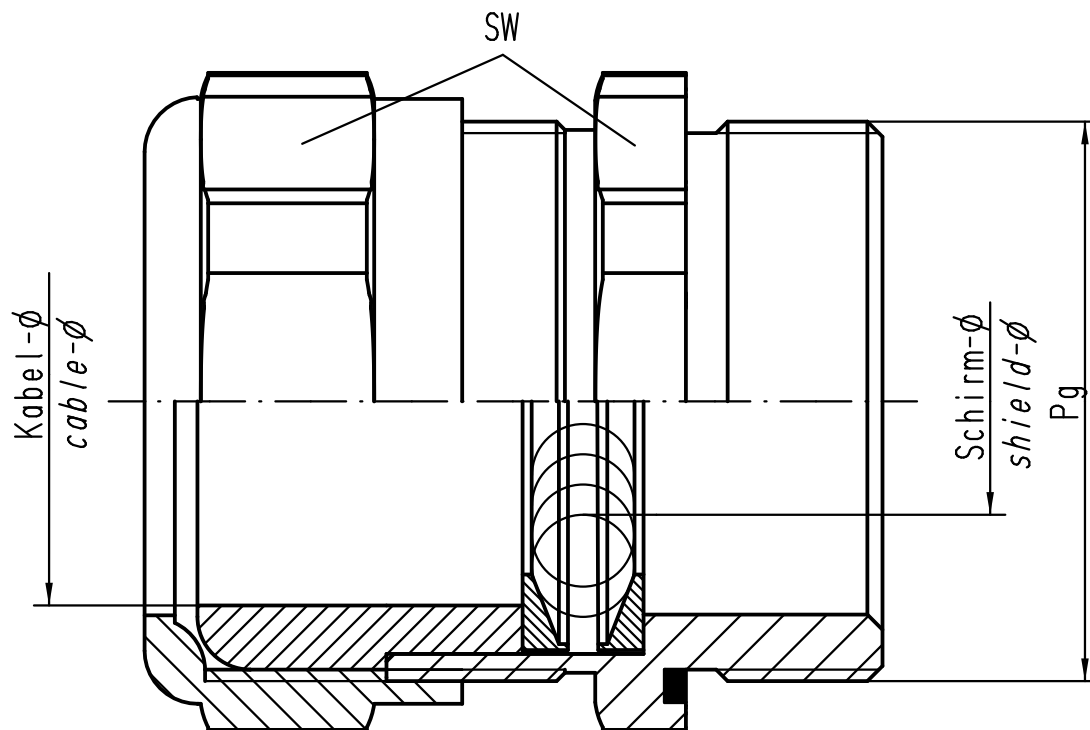
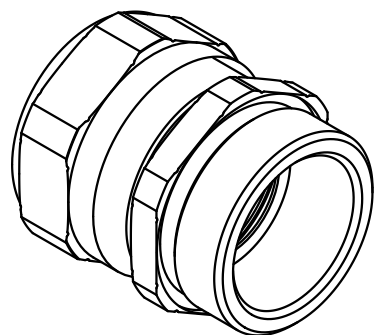
Contact us

Tel: +86-755-8981 8866 Fax: +86-755-8427 6832

Email & Skype: info@chipsmall.com Web: www.chipsmall.com

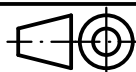
Address: A1208, Overseas Decoration Building, #122 Zhenhua RD., Futian, Shenzhen, China





beispielhafte Darstellung UNI IRIS Dicht Verschraubung für EMV Pg29
exemplary drawings universal IRIS cable protection for EMC Pg29

09 62 000 5023	Pg11	4-6,5	2,5-6,5	20
09 62 000 5024	Pg11	6,5-9,5	3,5-8,5	20
09 62 000 5003	Pg13,5	6,5-9,5	2,5-6,5	22
09 62 000 5004	Pg13,5	9-13	6,5-10,5	22
09 62 000 5005	Pg16	6,5-9,5	3,5-8	24
09 62 000 5006	Pg16	9-13	4,5-8	24
09 62 000 5007	Pg21	11,5-15,5	9,5-13,5	30
09 62 000 5008	Pg21	14-18	10,5-14,5	30
09 62 000 5009	Pg29	17-20,5	15-20	40
09 62 000 5010	Pg29	20-25	15-20	40
09 62 000 5011	Pg36	24-28	18-25,5	50
09 62 000 5012	Pg36	27-32	24-31	50
Bestell Nr <i>Part No</i>	Gewinde <i>thread</i>	Kabel/ <i>cab</i> le min.- max.	Schirm/ <i>sh</i> ield min.- max.	SW



All Dimensions in mm
Original Size DIN A 4

Techn. Character.		Maßstab/Scale 2:1
	Dat. Name	
Detail.	24.10.08 Bor	
Insp.	Be	
Stand.		

Nicht tolerierte Maße/Free size tolerances
UNI IRIS Dicht Verschraubung für EMV
universal IRIS cable protection for EMC

B	02.03.11	Ho
A		
Mod.	Dat.	Name

HARTING Electric GmbH & Co. KG
D-32339 Espelkamp



TB 09 62 000 50..
Sub. TB 09 62 000 50.. v. 23.10.96

Blatt/ page