



Chipsmall Limited consists of a professional team with an average of over 10 year of expertise in the distribution of electronic components. Based in Hongkong, we have already established firm and mutual-benefit business relationships with customers from,Europe,America and south Asia,supplying obsolete and hard-to-find components to meet their specific needs.

With the principle of “Quality Parts,Customers Priority,Honest Operation,and Considerate Service”,our business mainly focus on the distribution of electronic components. Line cards we deal with include Microchip,ALPS,ROHM,Xilinx,Pulse,ON,Everlight and Freescale. Main products comprise IC,Modules,Potentiometer,IC Socket,Relay,Connector.Our parts cover such applications as commercial,industrial, and automotives areas.

We are looking forward to setting up business relationship with you and hope to provide you with the best service and solution. Let us make a better world for our industry!



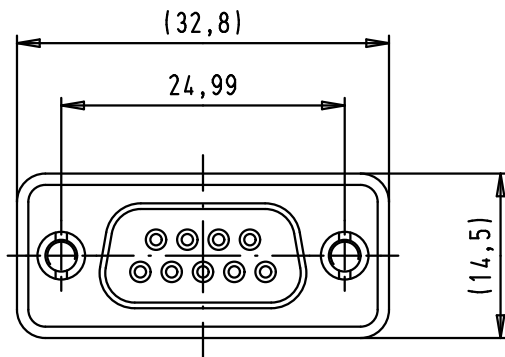
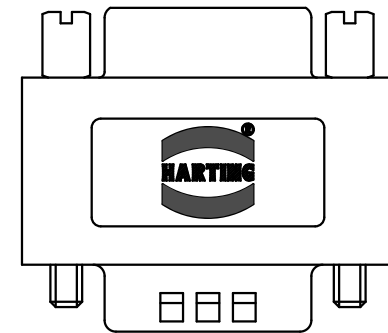
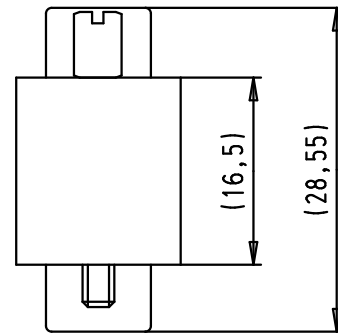
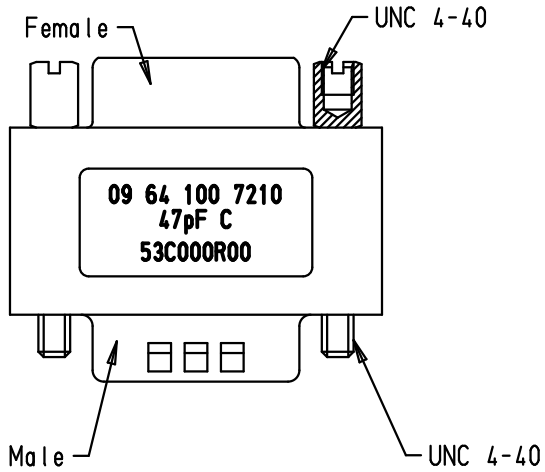
Contact us

Tel: +86-755-8981 8866 Fax: +86-755-8427 6832

Email & Skype: info@chipsmall.com Web: www.chipsmall.com

Address: A1208, Overseas Decoration Building, #122 Zhenhua RD., Futian, Shenzhen, China





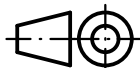

SPECIFICATIONS

Filter type	C
Capacitance	47 pF±20%
Working voltage	100 V
Current rating	6,5 A

Minimum insertion loss

FREQUENCY (MHz)	ATTENUATION (dB)
5	-
10	-
50	-
100	-
500	30
1000	35

Note: Jack-screws are not pre-mounted to allow mounting from any ends

				Dot.	Name	 All Dim. in mm Orig. Size DIN A 4	Male / Female D-Sub filter adapter, 9 poles, 47 pF	Maßstab/ Scale
			Detail.	03/09/07	JS			1,5:1
			Insp.					
34901	01/04/08	BB	Stand.				TB 09 64 100 7210	Blatt/ Page
34894	12/03/08	PK						1 / 1
	03/09/07	JS						
Mod.	Dot.	Name	HARTING EURL F-95972 Paris			Sub.		