



Chipsmall Limited consists of a professional team with an average of over 10 year of expertise in the distribution of electronic components. Based in Hongkong, we have already established firm and mutual-benefit business relationships with customers from,Europe,America and south Asia,supplying obsolete and hard-to-find components to meet their specific needs.

With the principle of “Quality Parts,Customers Priority,Honest Operation,and Considerate Service”,our business mainly focus on the distribution of electronic components. Line cards we deal with include Microchip,ALPS,ROHM,Xilinx,Pulse,ON,Everlight and Freescale. Main products comprise IC,Modules,Potentiometer,IC Socket,Relay,Connector.Our parts cover such applications as commercial,industrial, and automotives areas.

We are looking forward to setting up business relationship with you and hope to provide you with the best service and solution. Let us make a better world for our industry!



## Contact us

Tel: +86-755-8981 8866 Fax: +86-755-8427 6832

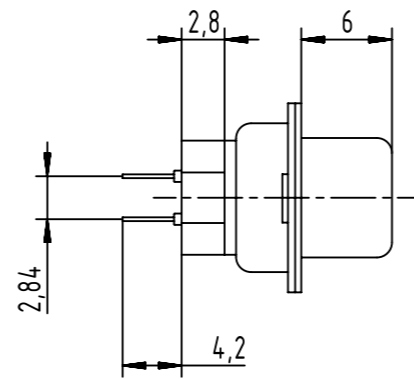
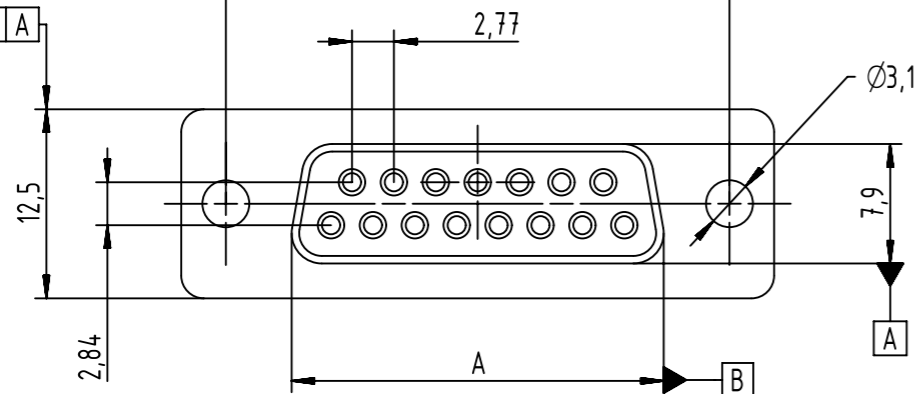
Email & Skype: info@chipsmall.com Web: www.chipsmall.com

Address: A1208, Overseas Decoration Building, #122 Zhenhua RD., Futian, Shenzhen, China



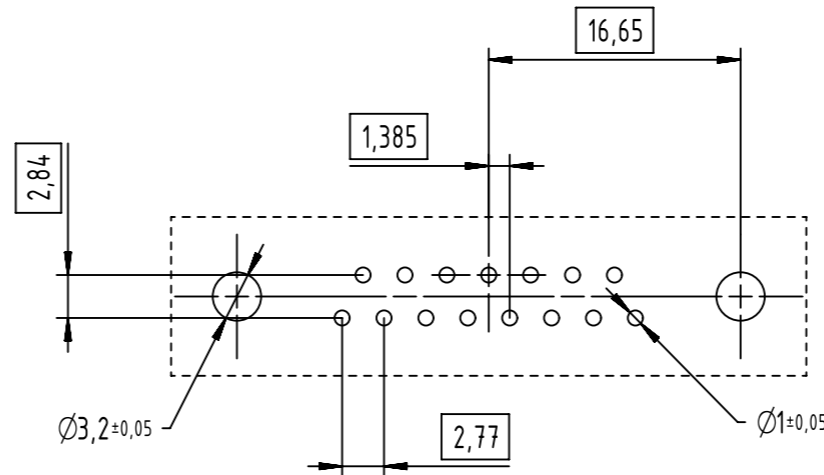
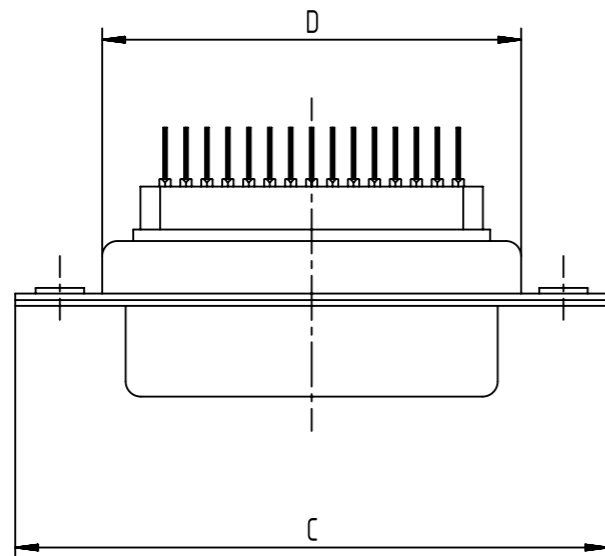
0,25 A

0,25 B



FREQUENCY (MHz)	ATTENUATION (dB)
5	0,5
10	1
50	3,5
100	4
500	5
1000	5,5

PC-Board layout  
view component side  
thickness 1,6 mm



Operating voltage <250 V AC  
Working current <7,5 A  
Insulation resistance >1 GΩ  
Contact resistance <15 mΩ  
Dielectric withstanding voltage 500 V AC / minute

09641127800	09	16,30	25,00	30,80	19,20	PL3
09642127800	15	24,60	33,30	39,20	27,70	
09643127800	25	38,30	47,10	53,10	41,10	
Part number	Number of pins	A	B	C	D	Performance level

	All rights reserved		Department EC PD - FR		All Dimensions in mm Original Size DIN A3		Scale 2:1	Free size tol.	Ref.		
	Created by DOUGE		Inspected by BAGDIKIAN		Standardisation HOFFMANN		Date 2013-10-25	State Final Release		Sub.	
HARTING Electronics GmbH		D-32339 Espelkamp		Title D-Sub F female straight solder pins				Doc-Key / ECM-Nr. 100554883/UGD/001/A 50000067708		Rev. A	Page 1/1
Type TB		Number 0964X127800									