



Chipsmall Limited consists of a professional team with an average of over 10 year of expertise in the distribution of electronic components. Based in Hongkong, we have already established firm and mutual-benefit business relationships with customers from,Europe,America and south Asia,supplying obsolete and hard-to-find components to meet their specific needs.

With the principle of “Quality Parts,Customers Priority,Honest Operation,and Considerate Service”,our business mainly focus on the distribution of electronic components. Line cards we deal with include Microchip,ALPS,ROHM,Xilinx,Pulse,ON,Everlight and Freescale. Main products comprise IC,Modules,Potentiometer,IC Socket,Relay,Connector.Our parts cover such applications as commercial,industrial, and automotives areas.

We are looking forward to setting up business relationship with you and hope to provide you with the best service and solution. Let us make a better world for our industry!



## Contact us

Tel: +86-755-8981 8866 Fax: +86-755-8427 6832

Email & Skype: info@chipsmall.com Web: www.chipsmall.com

Address: A1208, Overseas Decoration Building, #122 Zhenhua RD., Futian, Shenzhen, China



5

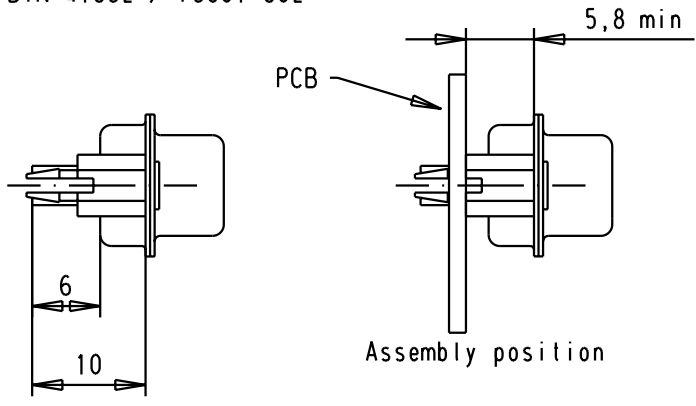
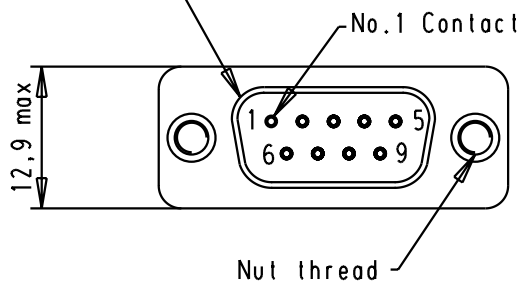
4

3

2

1

Mating face according to : MIL -C-24308 / DIN 41652 / 75301-802

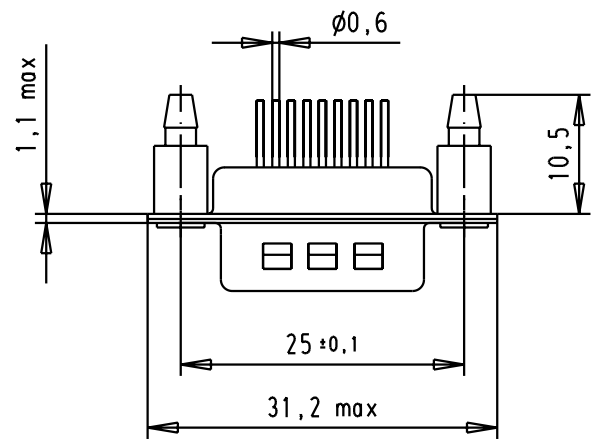
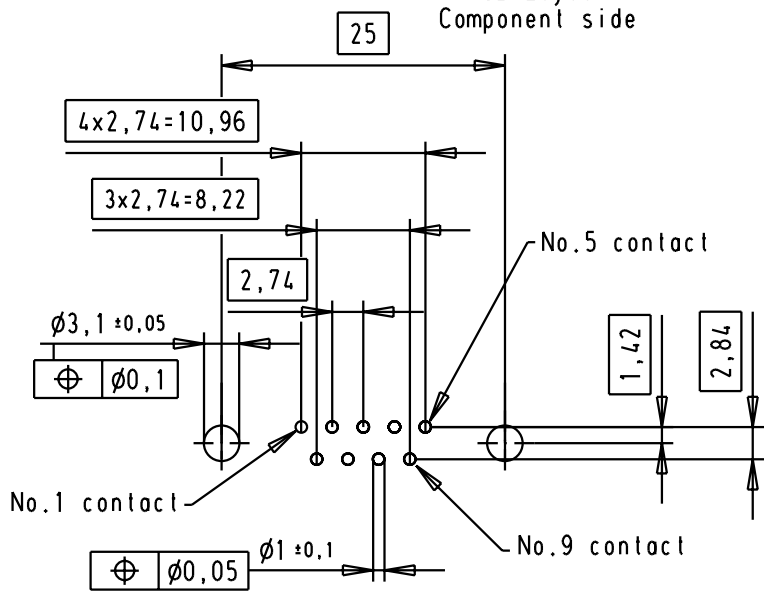


SPECIFICATION

Mating Cycles	200
Capacitance	47pf±20%
Working Voltage	100v
Current Rating	7,5A
Insulation Resistance	>1GΩ

FREQUENCY (MHz)	ATTENUATION dB
5	-
10	-
50	-
100	-
500	30dB
1000	35dB

PCB Layout Component side



					Dat. 8-JUL-02 Name CV Insp. Stand.		<p>All Dim. in mm Orig. Size DIN A 4</p>	D-Sub, male, straight, 9 Poles, with turned solder pin, spacer nut with clip	No?Ms lab/ Scale 1.5:1		
09641227216	M3					HARTING EURL F-95972 Paris				TB 0964122721x	Blatt/ Page 2 / 3
09641227215	UNC 4-40	31058	8-JUL-02	CV							
Part number	Nut thread	Mod.	Dat.	Name							