



Chipsmall Limited consists of a professional team with an average of over 10 year of expertise in the distribution of electronic components. Based in Hongkong, we have already established firm and mutual-benefit business relationships with customers from,Europe,America and south Asia,supplying obsolete and hard-to-find components to meet their specific needs.

With the principle of “Quality Parts,Customers Priority,Honest Operation,and Considerate Service”,our business mainly focus on the distribution of electronic components. Line cards we deal with include Microchip,ALPS,ROHM,Xilinx,Pulse,ON,Everlight and Freescale. Main products comprise IC,Modules,Potentiometer,IC Socket,Relay,Connector.Our parts cover such applications as commercial,industrial, and automotives areas.

We are looking forward to setting up business relationship with you and hope to provide you with the best service and solution. Let us make a better world for our industry!



Contact us

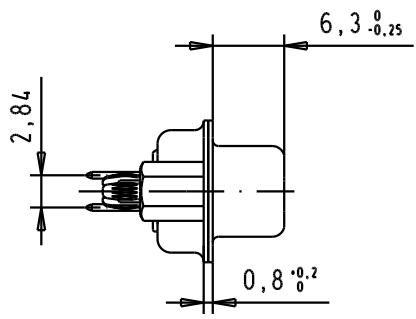
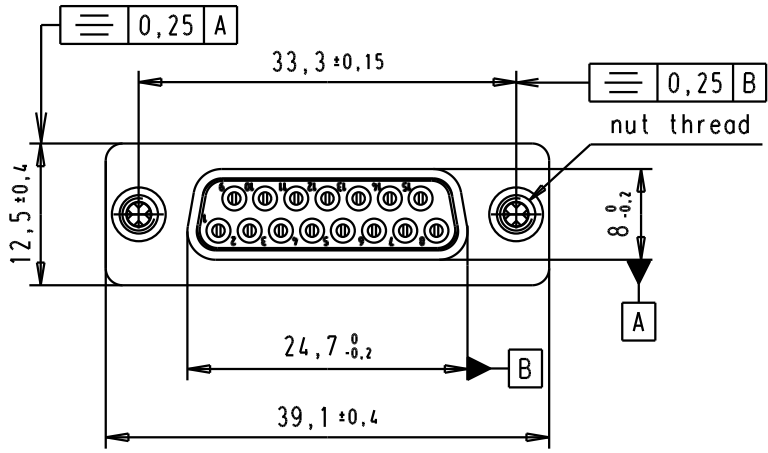
Tel: +86-755-8981 8866 Fax: +86-755-8427 6832

Email & Skype: info@chipsmall.com Web: www.chipsmall.com

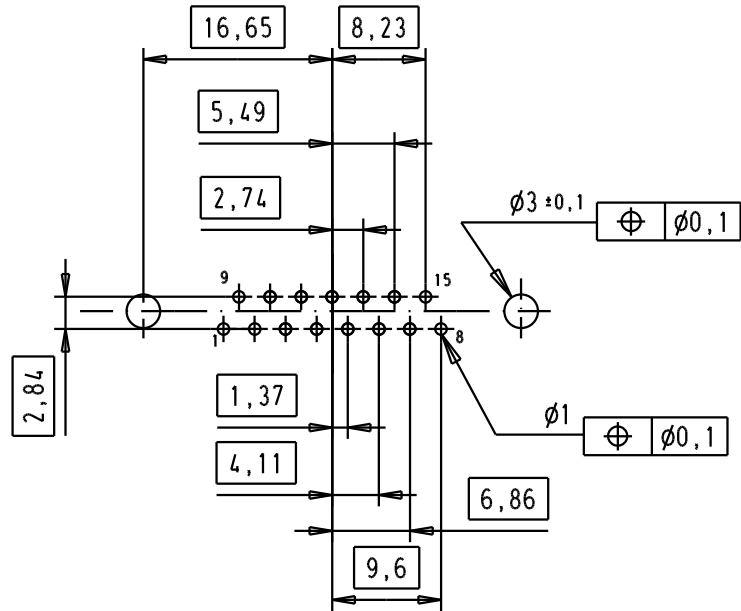
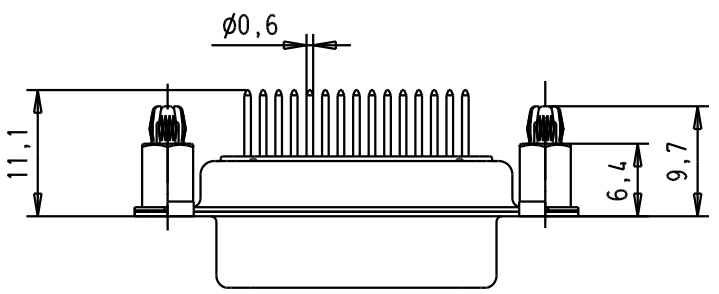
Address: A1208, Overseas Decoration Building, #122 Zhenhua RD., Futian, Shenzhen, China



5 4 3 2 1



PCB Layout, component side,
PCB thickness 1,6 mm



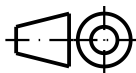

SPECIFICATION: C Filter

Mating Cycles	500
Capacitance	47pf±20%
Working Voltage	100v
Current Rating	7.5A
Insulation Resistance	>1GΩ

Minimum insertion loss

FREQUENCY (MHz)	ATTENUATION (dB)
5	-
10	-
50	-
100	-
500	30dB
1000	35dB

D
C
B
A

				Dat.	Name	 All Dim. in mm Orig. Size DIN A 4
			Detail.	8-JUL-02	CV	
			Insp.			
			Stand.			
31897	17/05/04	AF	HARTING EURL			
31058	8-JUL-02	CV	F-95972 Paris			
Mod.	Dat.	Name				

D-Sub, female, straight,
15 Poles, with turned
solder pin and spacer nut
with board lock

TB 0964212721x

Sub.

Mo?MsLab/
Scale
1.5:1

Blatt/ Page
2 / 3

09 64 212 7216	M3
09 64 212 7215	UNC 4-40
Part number	Nut thread