



Chipsmall Limited consists of a professional team with an average of over 10 year of expertise in the distribution of electronic components. Based in Hongkong, we have already established firm and mutual-benefit business relationships with customers from,Europe,America and south Asia,supplying obsolete and hard-to-find components to meet their specific needs.

With the principle of “Quality Parts,Customers Priority,Honest Operation,and Considerate Service”,our business mainly focus on the distribution of electronic components. Line cards we deal with include Microchip,ALPS,ROHM,Xilinx,Pulse,ON,Everlight and Freescale. Main products comprise IC,Modules,Potentiometer,IC Socket,Relay,Connector.Our parts cover such applications as commercial,industrial, and automotives areas.

We are looking forward to setting up business relationship with you and hope to provide you with the best service and solution. Let us make a better world for our industry!



Contact us

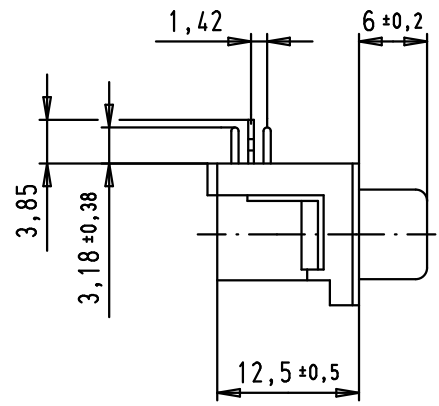
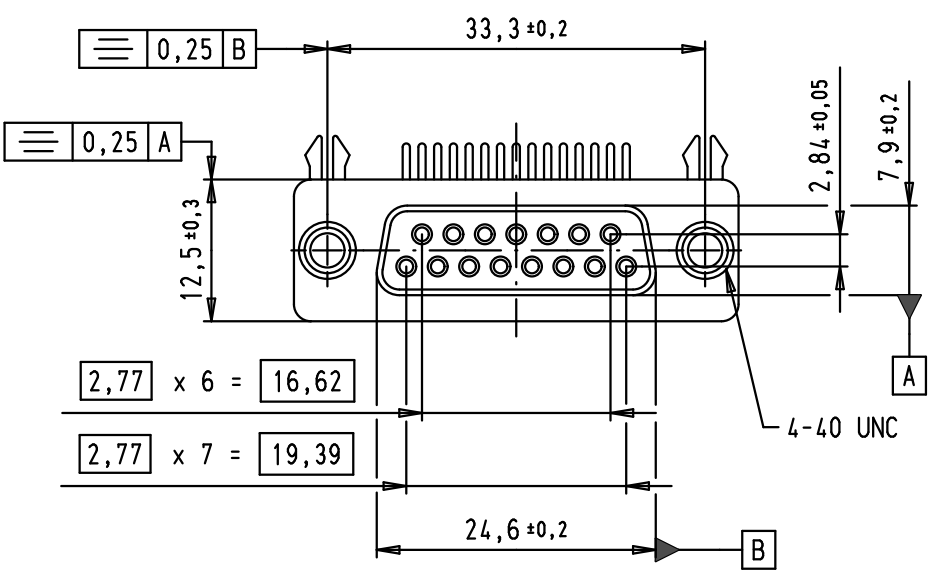
Tel: +86-755-8981 8866 Fax: +86-755-8427 6832

Email & Skype: info@chipsmall.com Web: www.chipsmall.com

Address: A1208, Overseas Decoration Building, #122 Zhenhua RD., Futian, Shenzhen, China



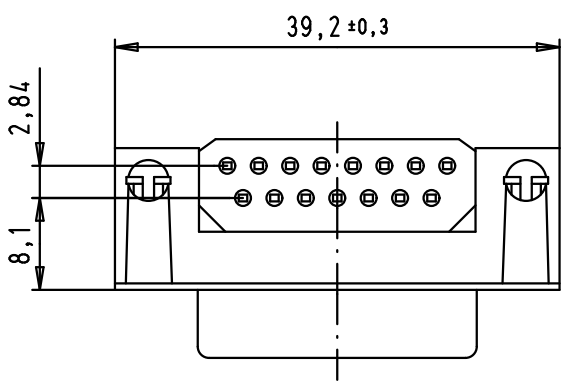
5 4 3 2 1



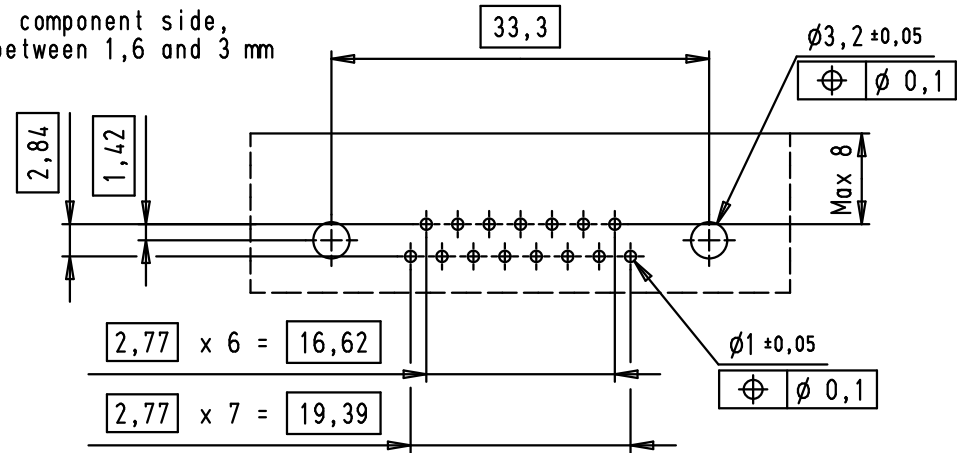
SPECIFICATIONS

FREQUENCY (MHz)	ATTENUATION (dB)
5	1
10	2
50	4
100	4,5
500	4,5
1000	4,5


Operating voltage < 250 V AC
 Working current < 7,5 A
 Insulation resistance > 10Ω
 Contact resistance < 15 mΩ
 Dielectric withstanding voltage 500 V AC / minute



PCB layout, component side, thickness between 1,6 and 3 mm




A

			Dot.	Name	 All Dim. in mm Orig. Size DIN A 4
			Detail.	02/07/09 PK	
			Insp.		
			Stand.		

D-Sub, female, angled, US footprint, 15 poles, tin plated shell, solder pins, ferrite filter

Maßstab/Scale 1,5:1

09 64 213 7802	PL3
Part number	Performance level

EC02296	06/09/10	SC	HARTING EURL F-95972 Paris	
EC00362	02/07/09	PK		
Mod.	Dot.	Name		

TB 09 64 213 7802	Blatt/ Page 1 / 1
Sub.	