



Chipsmall Limited consists of a professional team with an average of over 10 year of expertise in the distribution of electronic components. Based in Hongkong, we have already established firm and mutual-benefit business relationships with customers from,Europe,America and south Asia,supplying obsolete and hard-to-find components to meet their specific needs.

With the principle of “Quality Parts,Customers Priority,Honest Operation,and Considerate Service”,our business mainly focus on the distribution of electronic components. Line cards we deal with include Microchip,ALPS,ROHM,Xilinx,Pulse,ON,Everlight and Freescale. Main products comprise IC,Modules,Potentiometer,IC Socket,Relay,Connector.Our parts cover such applications as commercial,industrial, and automotives areas.

We are looking forward to setting up business relationship with you and hope to provide you with the best service and solution. Let us make a better world for our industry!



Contact us

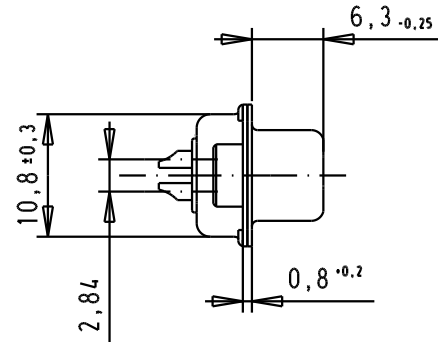
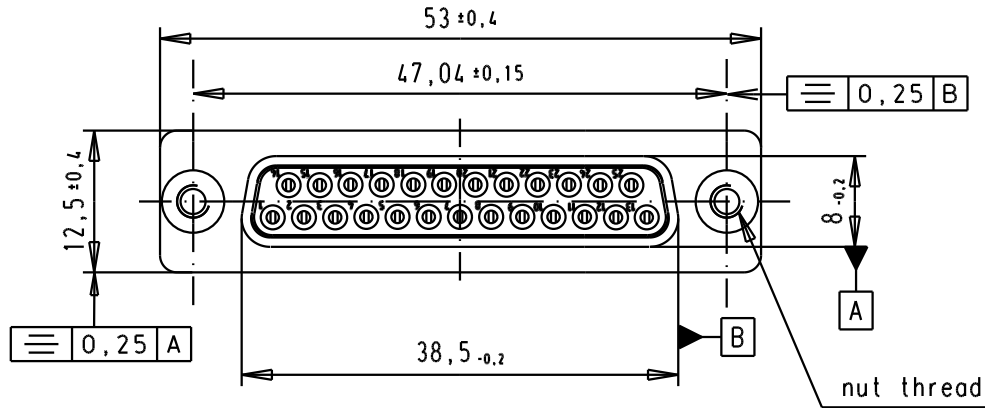
Tel: +86-755-8981 8866 Fax: +86-755-8427 6832

Email & Skype: info@chipsmall.com Web: www.chipsmall.com

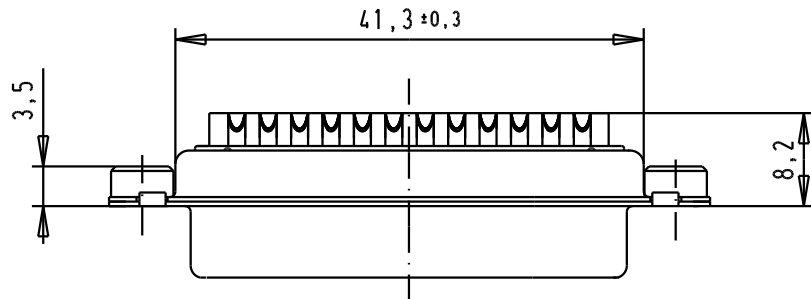
Address: A1208, Overseas Decoration Building, #122 Zhenhua RD., Futian, Shenzhen, China



5 4 3 2 1



Solder buckets for AWG 20 Max

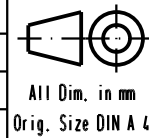


SPECIFICATION

Mating Cycles	500
Filter type	C
Capacitance	1000pf±20%
Working Voltage	100v
Current Rating	7.5A
Insulation Resistance	>1GΩ

FREQUENCY (MHz)	ATTENUATION (dB)
5	1dB
10	3dB
50	12dB
100	20dB
500	34dB
1000	30dB

Mod.	Dat.	Name	Detail.	Dat.	Name
			Insp.	8-JUL-02	CV
33271	28/11/05	JMDR	Stand.		
32248	28/10/04	TR			
31058	8-JUL-02	CV			
			HARTING EURL F-95972 Paris		



All Dim. in mm
Orig. Size DIN A 4

D-Sub, Female, Straight
25 Poles, solder buckets,
tin plated shell with
clinch nuts

Maßstab/
Scale

1.5:1

09643117238	M3
09643117237	UNC 4-40
Part number	Nut thread

TB 0964311723x

Sub.

Blatt/ Page

1 / 1

D

C

B

A