



Chipsmall Limited consists of a professional team with an average of over 10 year of expertise in the distribution of electronic components. Based in Hongkong, we have already established firm and mutual-benefit business relationships with customers from,Europe,America and south Asia,supplying obsolete and hard-to-find components to meet their specific needs.

With the principle of “Quality Parts,Customers Priority,Honest Operation,and Considerate Service”,our business mainly focus on the distribution of electronic components. Line cards we deal with include Microchip,ALPS,ROHM,Xilinx,Pulse,ON,Everlight and Freescale. Main products comprise IC,Modules,Potentiometer,IC Socket,Relay,Connector.Our parts cover such applications as commercial,industrial, and automotives areas.

We are looking forward to setting up business relationship with you and hope to provide you with the best service and solution. Let us make a better world for our industry!



## Contact us

Tel: +86-755-8981 8866 Fax: +86-755-8427 6832

Email & Skype: info@chipsmall.com Web: www.chipsmall.com

Address: A1208, Overseas Decoration Building, #122 Zhenhua RD., Futian, Shenzhen, China



5

4

3

2

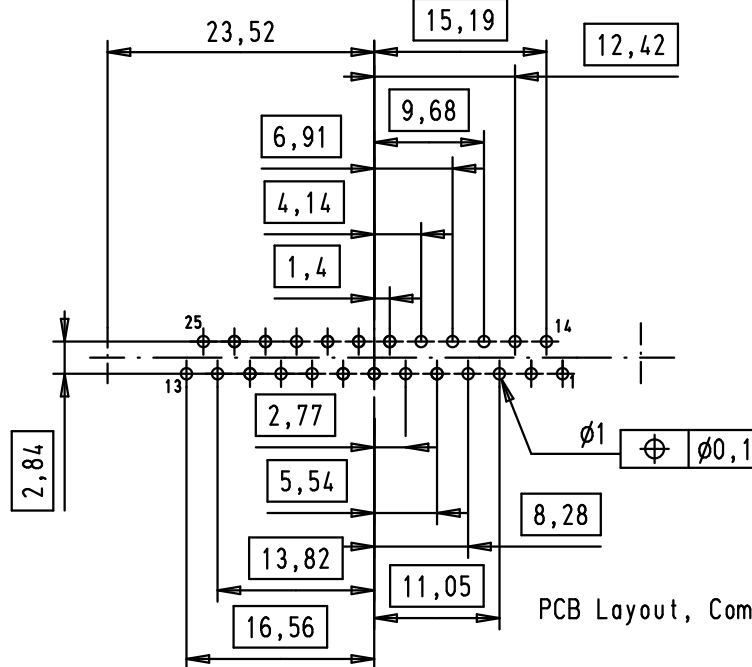
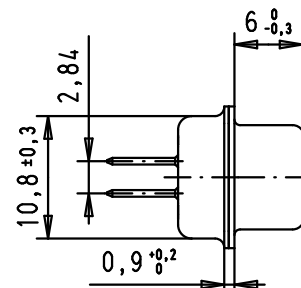
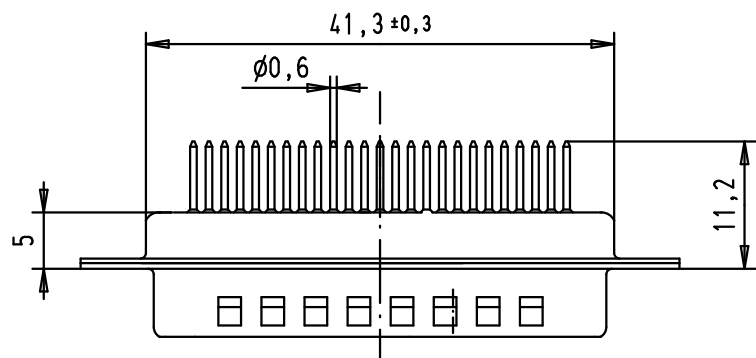
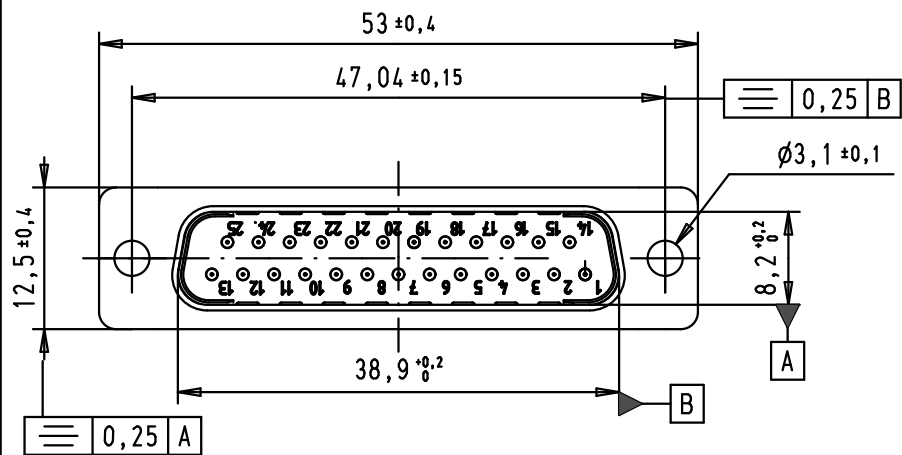
1

D

C

B

A



PCB Layout, Component side

## SPECIFICATION

Filter type	C
Performance level	PL2
Capacitance	3900pf±20%
Working Voltage	100v
Current Rating	7.5A
Insulation Resistance	>1GΩ

FREQUENCY (MHz)	ATTENUATION (dB)
5	6dB
10	11dB
50	25dB
100	35dB
500	35dB
1000	32dB

Mod.	Dot.	Name	Dot.	Name
			Detail.	8-JUL-02 CV
			Insp.	09/12/11 JB
			Stand.	
36283	09/12/11	SD		
31589	13/01/04	AF		
31058	8-JUL-02	CV		
			HARTING EURL F-95972 Paris	

All Dim. in mm  
Orig. Size DIN A 4D-Sub, male, straight,  
25 Poles, with turned  
solder pin and hole

TB 09643227240

Sub.

Mo?Mstab/  
Scale

1.5:1

Blatt/ Page

3 / 4