



Chipsmall Limited consists of a professional team with an average of over 10 year of expertise in the distribution of electronic components. Based in Hongkong, we have already established firm and mutual-benefit business relationships with customers from,Europe,America and south Asia,supplying obsolete and hard-to-find components to meet their specific needs.

With the principle of “Quality Parts,Customers Priority,Honest Operation,and Considerate Service”,our business mainly focus on the distribution of electronic components. Line cards we deal with include Microchip,ALPS,ROHM,Xilinx,Pulse,ON,Everlight and Freescale. Main products comprise IC,Modules,Potentiometer,IC Socket,Relay,Connector.Our parts cover such applications as commercial,industrial, and automotives areas.

We are looking forward to setting up business relationship with you and hope to provide you with the best service and solution. Let us make a better world for our industry!



## Contact us

Tel: +86-755-8981 8866 Fax: +86-755-8427 6832

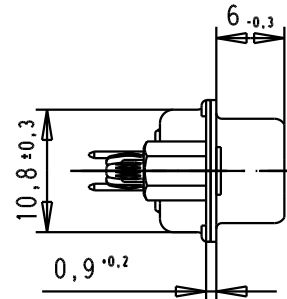
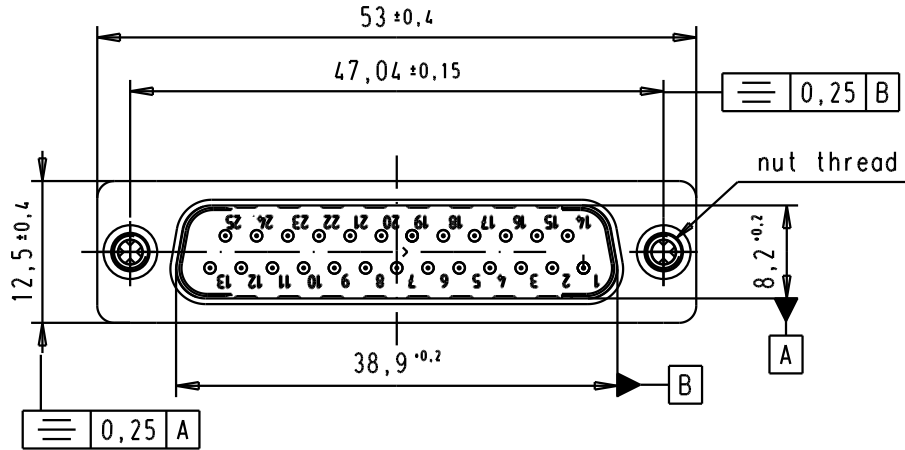
Email & Skype: info@chipsmall.com Web: www.chipsmall.com

Address: A1208, Overseas Decoration Building, #122 Zhenhua RD., Futian, Shenzhen, China



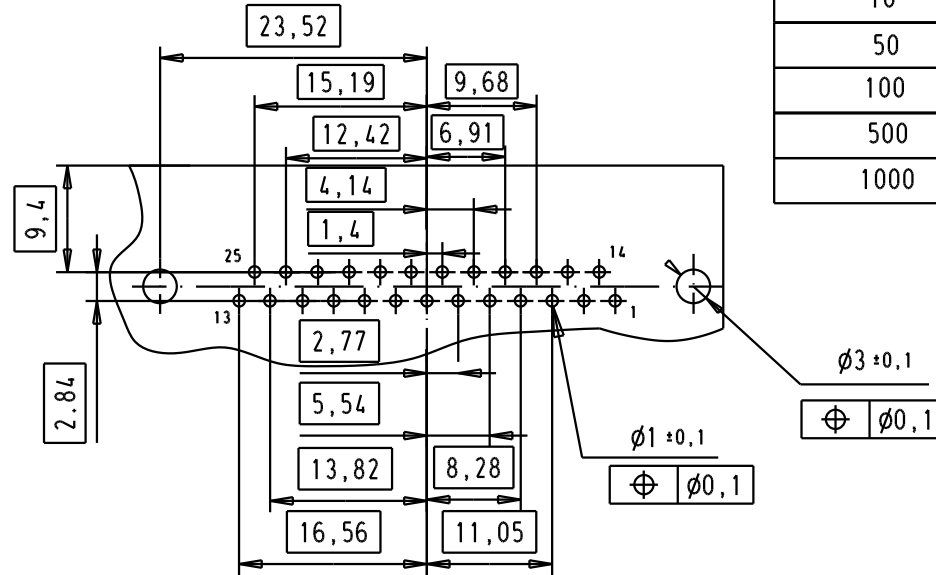
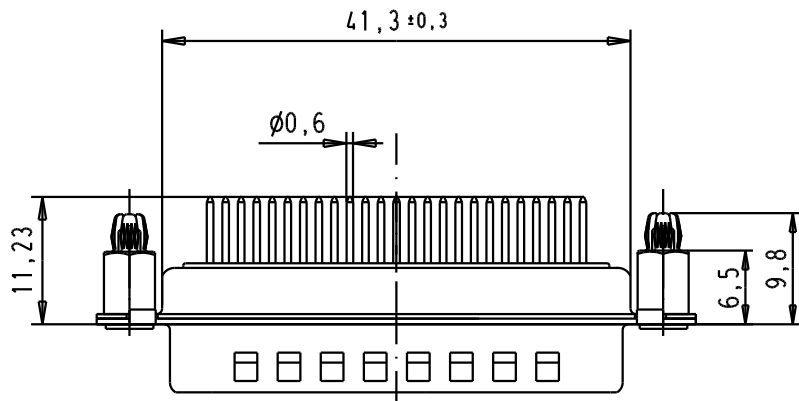
SPECIFICATION

Mating Cycles	500
Filter type	C
Capacitance	3900pf±20%
Working Voltage	100v
Current Rating	7.5A
Insulation Resistance	>1GΩ



PCB Layout, Component side, PCB thickness 1,6 mm

FREQUENCY (MHz)	ATTENUATION (dB)
5	6dB
10	11dB
50	25dB
100	35dB
500	35dB
1000	32dB



A

09643227246	M3	33423	06/02/06	JMDR								
09643227245	UNC 4-40	31058	8-JUL-02	CV								
Part number	Nut thread	Mod.	Dat.	Name								
					Dat. 8-JUL-02 Name CV Insp. Stand.		All Dim. in mm Orig. Size DIN A 4		D-Sub, male, straight, 25 Poles, turned solder pins, tin plated shell with dimples, spacer nuts and board-locks			Mo?Mstab/ Scale 1.5:1
					HARTING EURL F-95972 Paris				TB 0964322724x			Blatt/ Page 2 / 3
									Sub.			