



Chipsmall Limited consists of a professional team with an average of over 10 year of expertise in the distribution of electronic components. Based in Hongkong, we have already established firm and mutual-benefit business relationships with customers from,Europe,America and south Asia,supplying obsolete and hard-to-find components to meet their specific needs.

With the principle of "Quality Parts,Customers Priority,Honest Operation,and Considerate Service",our business mainly focus on the distribution of electronic components. Line cards we deal with include Microchip,ALPS,ROHM,Xilinx,Pulse,ON,Everlight and Freescale. Main products comprise IC,Modules,Potentiometer,IC Socket,Relay,Connector.Our parts cover such applications as commercial,industrial, and automotives areas.

We are looking forward to setting up business relationship with you and hope to provide you with the best service and solution. Let us make a better world for our industry!



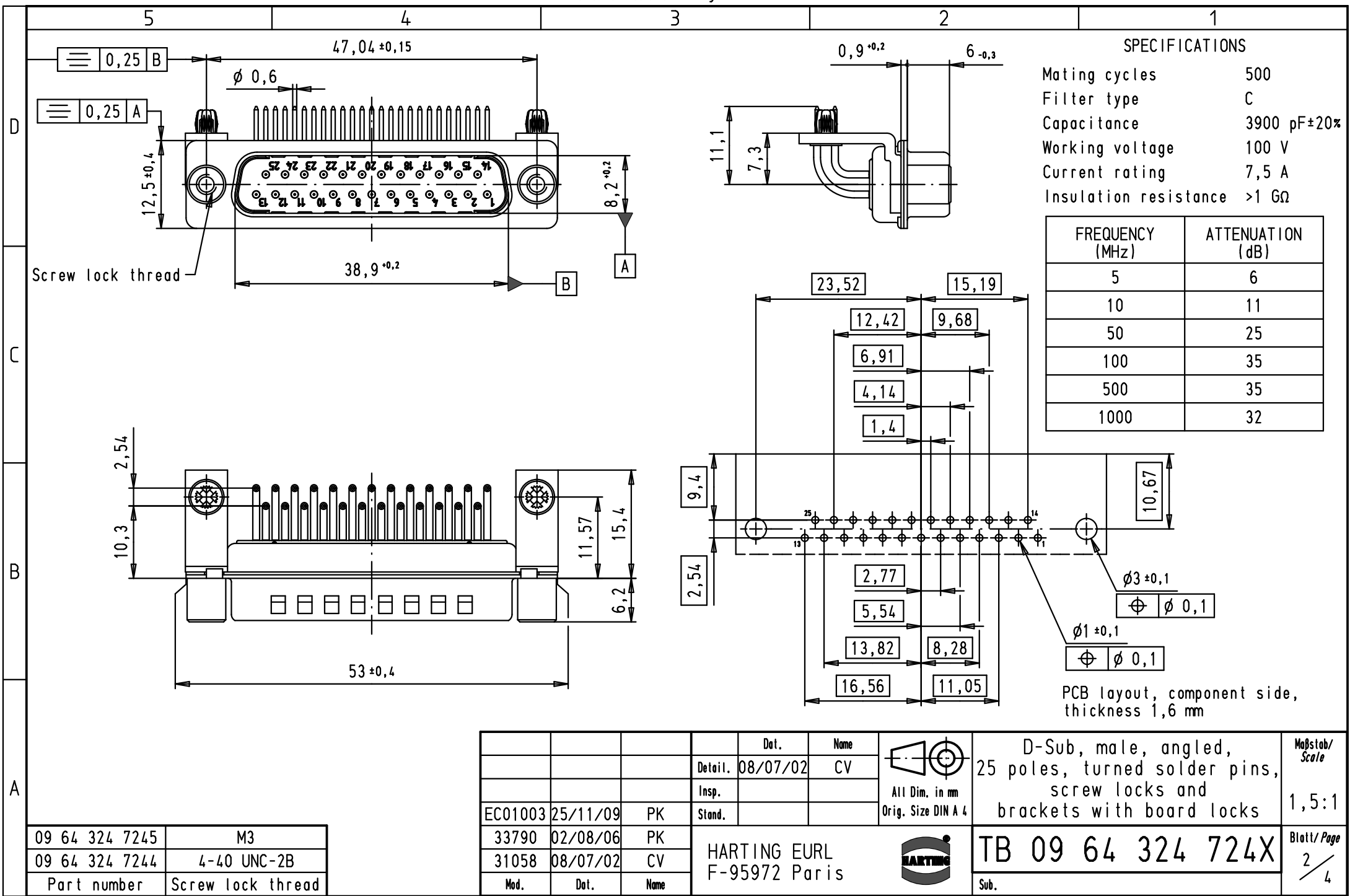
Contact us

Tel: +86-755-8981 8866 Fax: +86-755-8427 6832

Email & Skype: info@chipsmall.com Web: www.chipsmall.com

Address: A1208, Overseas Decoration Building, #122 Zhenhua RD., Futian, Shenzhen, China







SPECIFICATIONS

Mating cycles	500
Filter type	C
Capacitance	3900 pF ± 20%
Working voltage	100 V
Current rating	7,5 A
Insulation resistance	> 1 GΩ

FREQUENCY (MHz)	ATTENUATION (dB)
5	6
10	11
50	25
100	35
500	35
1000	32

PCB layout, component side, thickness 1,6 mm

				Dot.	Name	 All Dim. in mm Orig. Size DIN A 4	D-Sub, male, angled, 25 poles, turned solder pins, screw locks and brackets with board locks	Maßstab/ Scale 1,5:1
			Detail.	08/07/02	CV			
			Insp.					
			Stand.					
EC01003	25/11/09	PK					TB 09 64 324 724X	Blatt/ Page 2 / 4
33790	02/08/06	PK						
31058	08/07/02	CV						
09 64 324 7245	M3			Mod.	Dot.	Name	Sub.	
09 64 324 7244	4-40 UNC-2B							
Part number	Screw lock thread							

A

B

C

D