



Chipsmall Limited consists of a professional team with an average of over 10 year of expertise in the distribution of electronic components. Based in Hongkong, we have already established firm and mutual-benefit business relationships with customers from,Europe,America and south Asia,supplying obsolete and hard-to-find components to meet their specific needs.

With the principle of “Quality Parts,Customers Priority,Honest Operation,and Considerate Service”,our business mainly focus on the distribution of electronic components. Line cards we deal with include Microchip,ALPS,ROHM,Xilinx,Pulse,ON,Everlight and Freescale. Main products comprise IC,Modules,Potentiometer,IC Socket,Relay,Connector.Our parts cover such applications as commercial,industrial, and automotives areas.

We are looking forward to setting up business relationship with you and hope to provide you with the best service and solution. Let us make a better world for our industry!



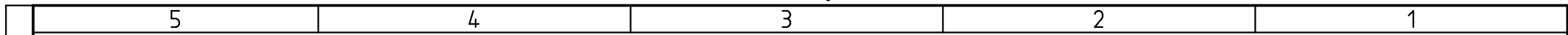
Contact us

Tel: +86-755-8981 8866 Fax: +86-755-8427 6832

Email & Skype: info@chipsmall.com Web: www.chipsmall.com

Address: A1208, Overseas Decoration Building, #122 Zhenhua RD., Futian, Shenzhen, China



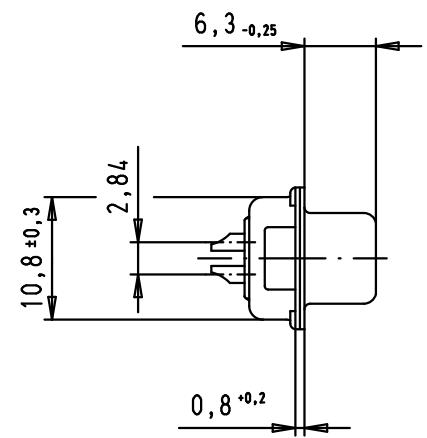
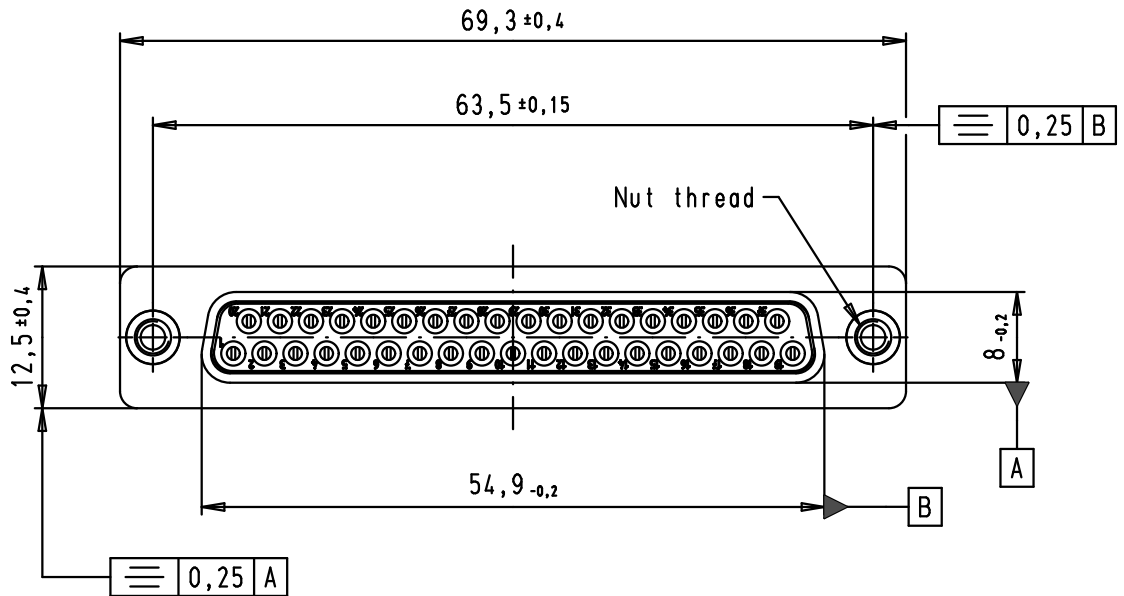


D

C

B

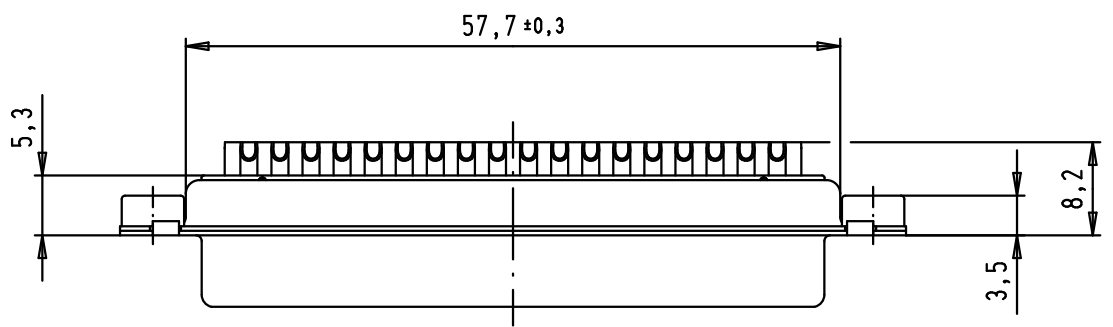
A



SPECIFICATIONS

Mating cycles	500
Filter type	C
Capacitance	1000 pF ± 20%
Working voltage	100 V
Current rating	7,5 A
Insulation resistance	>1 GΩ

FREQUENCY (MHz)	ATTENUATION (dB)
5	1
10	3
50	12
100	20
500	34
1000	30



Solder buckets for AWG 20

09 64 411 7238	M3
09 64 411 7237	4-40 UNC-2B
Part number	Nut thread

35300	01/12/08	PK			
33800	21/08/06	PK			
31058	08/07/02	CV			
Mod.	Dat.	Name			

	Dat.	Name
Detail.	08/07/02	CV
Insp.		
Stand.		
HARTING EURL F-95972 Paris		



D-Sub, female, straight,
37 poles, turned solder
buckets and clinch nuts

TB 09 64 411 723X
Sub.

Maßstab/
Scale
1,5:1
Blatt/ Page
1 / 1