



Chipsmall Limited consists of a professional team with an average of over 10 year of expertise in the distribution of electronic components. Based in Hongkong, we have already established firm and mutual-benefit business relationships with customers from,Europe,America and south Asia,supplying obsolete and hard-to-find components to meet their specific needs.

With the principle of “Quality Parts,Customers Priority,Honest Operation,and Considerate Service”,our business mainly focus on the distribution of electronic components. Line cards we deal with include Microchip,ALPS,ROHM,Xilinx,Pulse,ON,Everlight and Freescale. Main products comprise IC,Modules,Potentiometer,IC Socket,Relay,Connector.Our parts cover such applications as commercial,industrial, and automotives areas.

We are looking forward to setting up business relationship with you and hope to provide you with the best service and solution. Let us make a better world for our industry!



Contact us

Tel: +86-755-8981 8866 Fax: +86-755-8427 6832

Email & Skype: info@chipsmall.com Web: www.chipsmall.com

Address: A1208, Overseas Decoration Building, #122 Zhenhua RD., Futian, Shenzhen, China



5

4

3

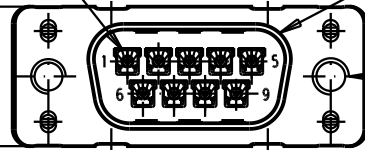
2

1

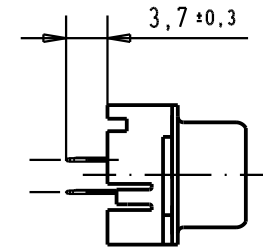
Mating face according to : MIL-C-24308 / DIN 41652 / CECC 75301-802

No. 1 contact

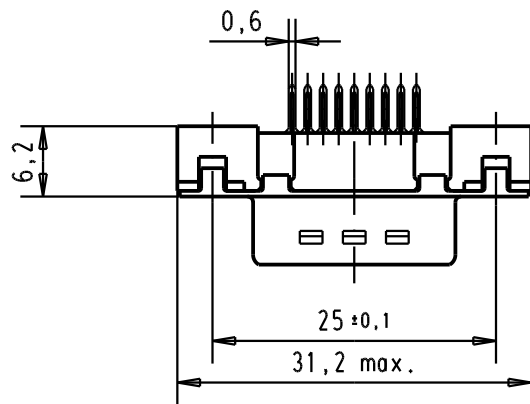
12,5 max.



nut thread



Printed board layout
component side



$4 \times 2,74 = 10,96$

$3 \times 2,74 = 8,22$

2,74

No.1 contact

$\phi 3,1 \pm 0,1$

$\phi 0,1$

2,84

1,42

2,74

$\phi 1 \pm 0,1$

$\phi 0,05$

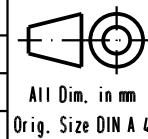
No.6 contact

25

No.9 contact

09 65 121 3701	M3	1						
09 65 121 6701	M3	2						
09 65 121 7701	M3	3						
09 65 121 3702	4-40 UNC	1						
09 65 121 6702	4-40 UNC	2	31892	22/04/04	JH			
09 65 121 7702	4-40 UNC	3	29723	05/03/02	CV			
Part number	Nut thread	Performance level	Mod.	Dat.	Name			

	Dat.	Name
Detail.	05/03/02	CV
Insp.		
Stand.		



D-Sub, 9 poles,
male, straight,
with solder pins 3.7,
and nuts.

Maßstab/
Scale
1,5:1

HARTING EURL
F-95972 Paris



TB 09 65 121 X70X

Blatt/ Page
2

Sub.