



Chipsmall Limited consists of a professional team with an average of over 10 year of expertise in the distribution of electronic components. Based in Hongkong, we have already established firm and mutual-benefit business relationships with customers from,Europe,America and south Asia,supplying obsolete and hard-to-find components to meet their specific needs.

With the principle of “Quality Parts,Customers Priority,Honest Operation,and Considerate Service”,our business mainly focus on the distribution of electronic components. Line cards we deal with include Microchip,ALPS,ROHM,Xilinx,Pulse,ON,Everlight and Freescale. Main products comprise IC,Modules,Potentiometer,IC Socket,Relay,Connector.Our parts cover such applications as commercial,industrial, and automotives areas.

We are looking forward to setting up business relationship with you and hope to provide you with the best service and solution. Let us make a better world for our industry!



Contact us

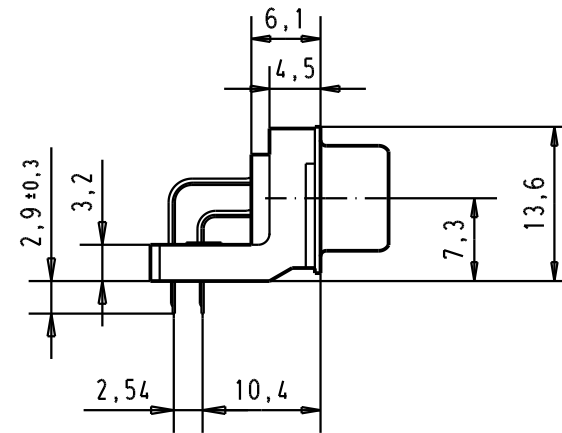
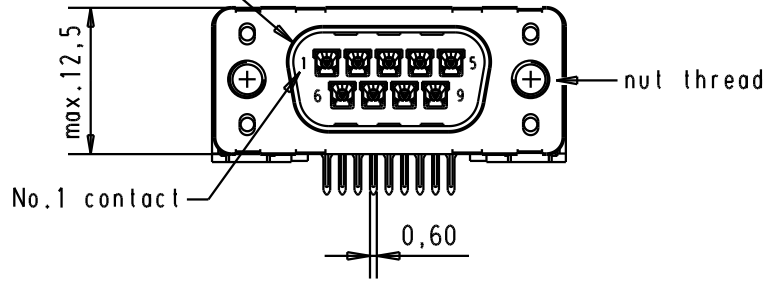
Tel: +86-755-8981 8866 Fax: +86-755-8427 6832

Email & Skype: info@chipsmall.com Web: www.chipsmall.com

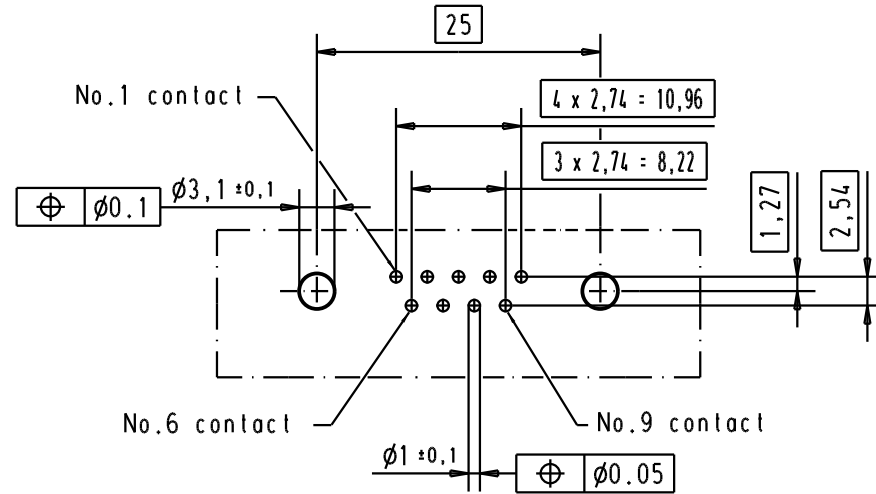
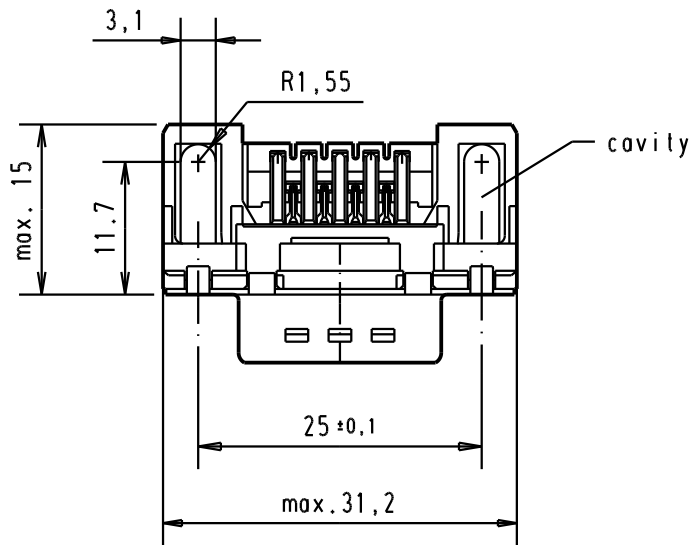
Address: A1208, Overseas Decoration Building, #122 Zhenhua RD., Futian, Shenzhen, China



Mating face according to : MIL-C-24308 / DIN 41652 / CECC 75301-802

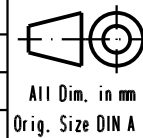


Printed board layout component side



09 65 122 3801	M3	1							
09 65 122 6801	M3	2							
09 65 122 7801	M3	3	31892	22/04/04	JH	Detail.	11/dec/00	ALSPACE	
09 65 122 3802	4-40 UNC	1	29773	18-APR-02	CV	Insp.			
09 65 122 6802	4-40 UNC	2	29689	02/07/01	AA	Stand.			
09 65 122 7802	4-40 UNC	3	27960	11/dec/00	ALSPACE				
Part number	Nut thread	Performance level	Mod.	Dat.	Name				

HARTING EURL
F-95972 Paris



D-Sub, male, standard angle,
09 poles, solder pin with nut,
hole

TB 0965122x80x

Moßstab/
Scale
1.5:1

Blatt/ Page
2

Sub.