



Chipsmall Limited consists of a professional team with an average of over 10 year of expertise in the distribution of electronic components. Based in Hongkong, we have already established firm and mutual-benefit business relationships with customers from,Europe,America and south Asia,supplying obsolete and hard-to-find components to meet their specific needs.

With the principle of “Quality Parts,Customers Priority,Honest Operation,and Considerate Service”,our business mainly focus on the distribution of electronic components. Line cards we deal with include Microchip,ALPS,ROHM,Xilinx,Pulse,ON,Everlight and Freescale. Main products comprise IC,Modules,Potentiometer,IC Socket,Relay,Connector.Our parts cover such applications as commercial,industrial, and automotives areas.

We are looking forward to setting up business relationship with you and hope to provide you with the best service and solution. Let us make a better world for our industry!



Contact us

Tel: +86-755-8981 8866 Fax: +86-755-8427 6832

Email & Skype: info@chipsmall.com Web: www.chipsmall.com

Address: A1208, Overseas Decoration Building, #122 Zhenhua RD., Futian, Shenzhen, China



5

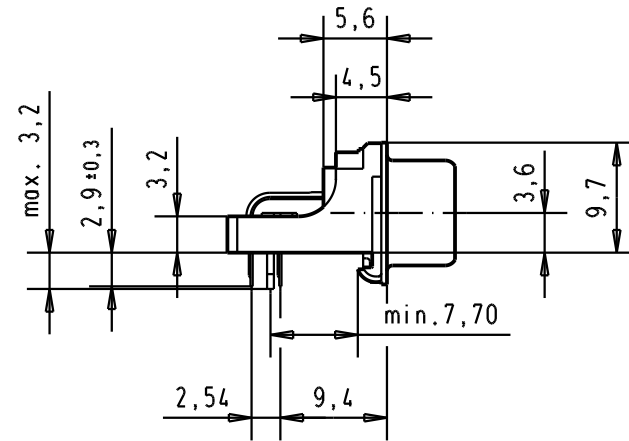
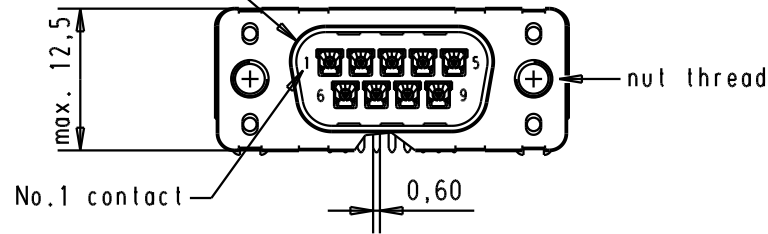
4

3

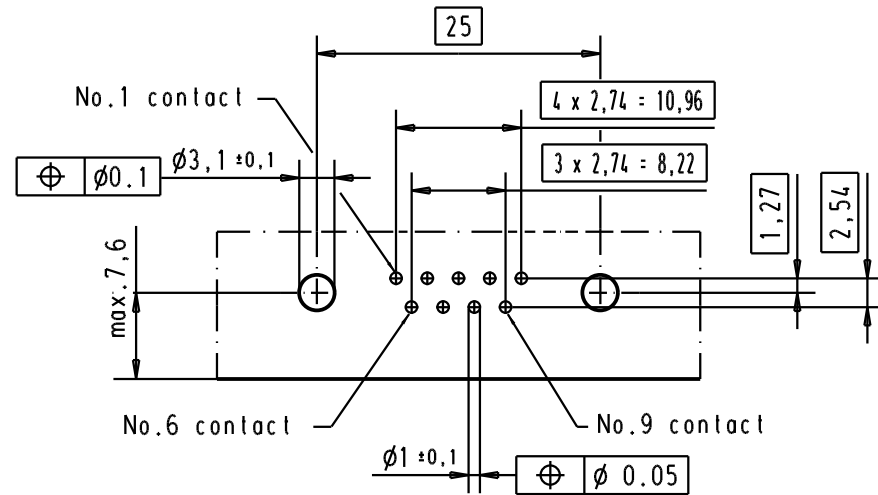
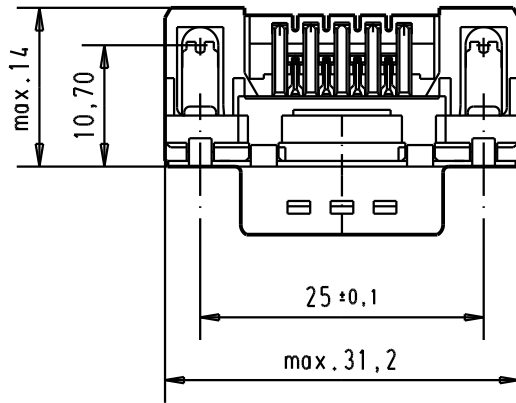
2

1

Mating face according to : MIL-C-24308 / DIN 41652 / CECC 75301-802





PCB layout hole component side



Connector retention and assembling forces on the PCB = 25 / 80 newtons

A

| Part number | Nut thread | Performance level | Mod. | Dat. | Name | Dat. | Name |  All Dim. in mm Orig. Size DIN A 4 | | D-Sub, male, low profil angle, 09 poles, with solder pin, nut and grounding board lock. | Maßstab/ Scale 1.5:1 | |
|--|------------|-------------------|-------|-----------|---------|-------------------------------|-----------|---|---|---|----------------------------|------------------|
| 09 65 162 3815 | M3 | 1 | | | | | | | | | | |
| 09 65 162 6815 | M3 | 2 | | | | Detail. | 18/dec/00 | ALSPACE | | | | |
| 09 65 162 7815 | M3 | 3 | 31892 | 22/04/04 | JH | Insp. | | | | | | |
| 09 65 162 3816 | 4-40 UNC | 1 | 31084 | 04/09/02 | YT | Stand. | | | | | | |
| 09 65 162 6816 | 4-40 UNC | 2 | 29689 | 03/07/01 | AA | | | | | | | |
| 09 65 162 7816 | 4-40 UNC | 3 | 27960 | 18/dec/00 | ALSPACE | | | | | | | |
| Part number Nut thread Performance level Mod. Dat. Name | | | | | | HARTING EURL F-95972 Paris | | |  | | TB 0965162x81x Sub. | Blatt/ Page 2 |