



Chipsmall Limited consists of a professional team with an average of over 10 year of expertise in the distribution of electronic components. Based in Hongkong, we have already established firm and mutual-benefit business relationships with customers from,Europe,America and south Asia,supplying obsolete and hard-to-find components to meet their specific needs.

With the principle of "Quality Parts,Customers Priority,Honest Operation,and Considerate Service",our business mainly focus on the distribution of electronic components. Line cards we deal with include Microchip,ALPS,ROHM,Xilinx,Pulse,ON,Everlight and Freescale. Main products comprise IC,Modules,Potentiometer,IC Socket,Relay,Connector.Our parts cover such applications as commercial,industrial, and automotives areas.

We are looking forward to setting up business relationship with you and hope to provide you with the best service and solution. Let us make a better world for our industry!



Contact us

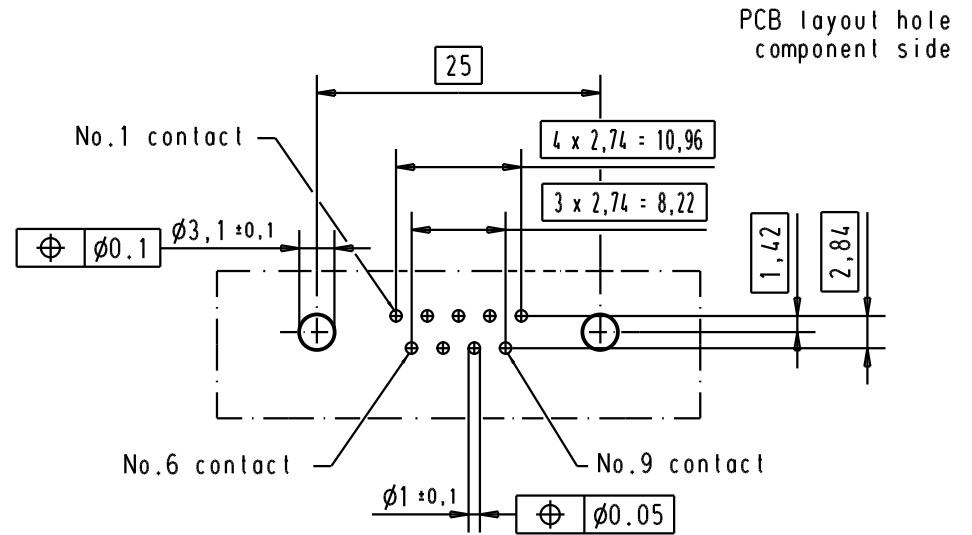
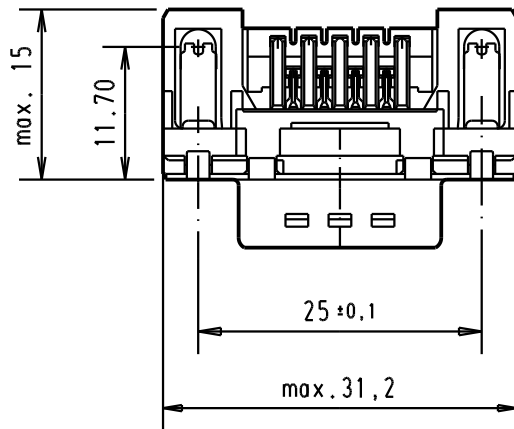
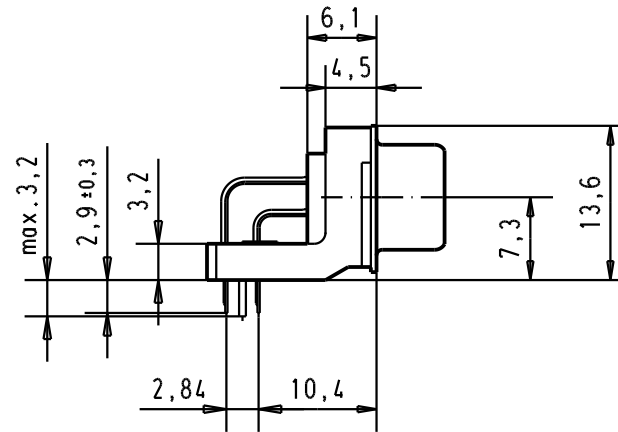
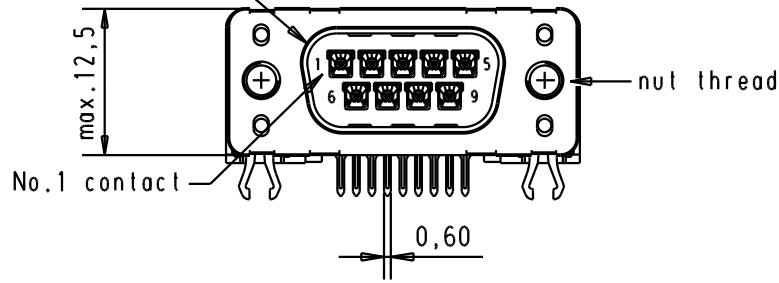
Tel: +86-755-8981 8866 Fax: +86-755-8427 6832

Email & Skype: info@chipsmall.com Web: www.chipsmall.com

Address: A1208, Overseas Decoration Building, #122 Zhenhua RD., Futian, Shenzhen, China





Mating face according to : MIL-C-24308 / DIN 41652 / CECC 75301-802



PCB layout hole component side

Connector retention and insertion forces on the PCB = 25 / 80 newtons

A	09 65 163 3811	M3	1							 All Dim. in mm Orig. Size DIN A 4	D-Sub, male, standard angle, 09 poles, with solder pin, nut, grounding board lock	Maßstab/ Scale 1.5:1
	09 65 163 6811	M3	2				Detail.	18/dec/00	ALSPACE			
	09 65 163 7811	M3	3	31892	22/04/04	JH	Insp.					
	09 65 163 3812	4-40 UNC	1	31084	04/09/02	YT	Stand.					
	09 65 163 6812	4-40 UNC	2	29689	02/07/01	AA						
09 65 163 7812	4-40 UNC	3	27960	18/dec/00	ALSPACE							
Part number	Nut thread	Performance level	Mod.	Dat.	Name	HARTING EURL F-95972 Paris				TB 0965163x81x		Blatt/ Page 2
										Sub.		