



Chipsmall Limited consists of a professional team with an average of over 10 year of expertise in the distribution of electronic components. Based in Hongkong, we have already established firm and mutual-benefit business relationships with customers from,Europe,America and south Asia,supplying obsolete and hard-to-find components to meet their specific needs.

With the principle of “Quality Parts,Customers Priority,Honest Operation,and Considerate Service”,our business mainly focus on the distribution of electronic components. Line cards we deal with include Microchip,ALPS,ROHM,Xilinx,Pulse,ON,Everlight and Freescale. Main products comprise IC,Modules,Potentiometer,IC Socket,Relay,Connector.Our parts cover such applications as commercial,industrial, and automotives areas.

We are looking forward to setting up business relationship with you and hope to provide you with the best service and solution. Let us make a better world for our industry!



Contact us

Tel: +86-755-8981 8866 Fax: +86-755-8427 6832

Email & Skype: info@chipsmall.com Web: www.chipsmall.com

Address: A1208, Overseas Decoration Building, #122 Zhenhua RD., Futian, Shenzhen, China



5

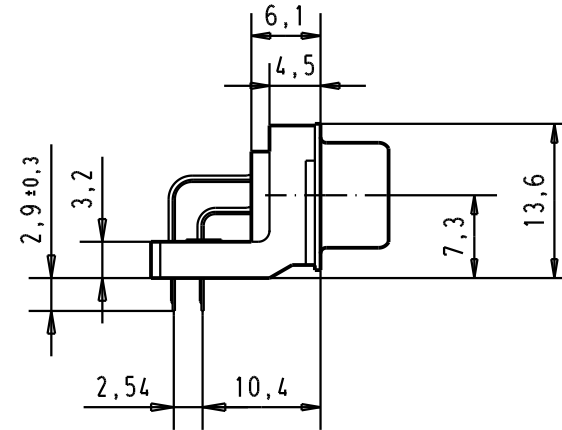
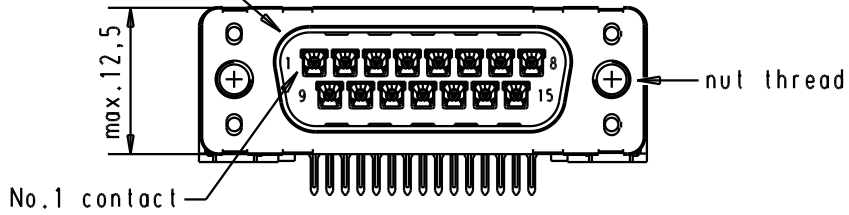
4

3

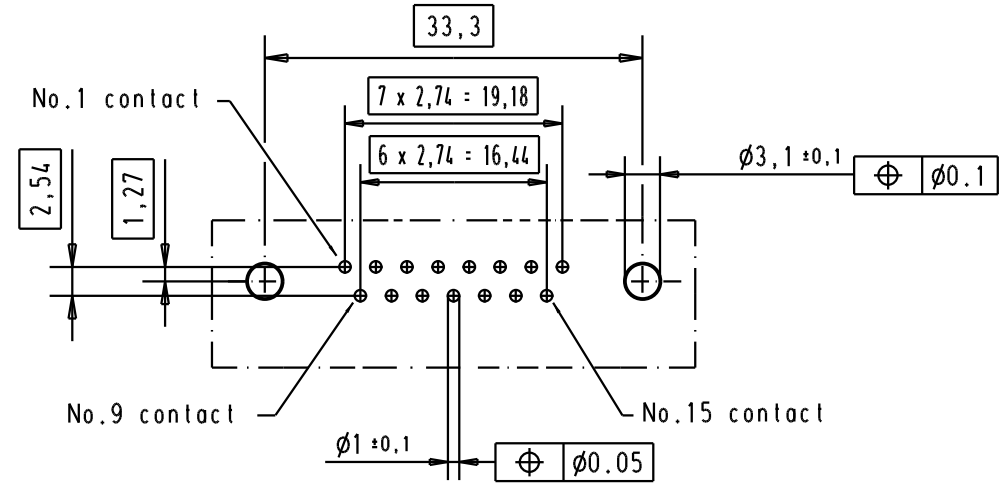
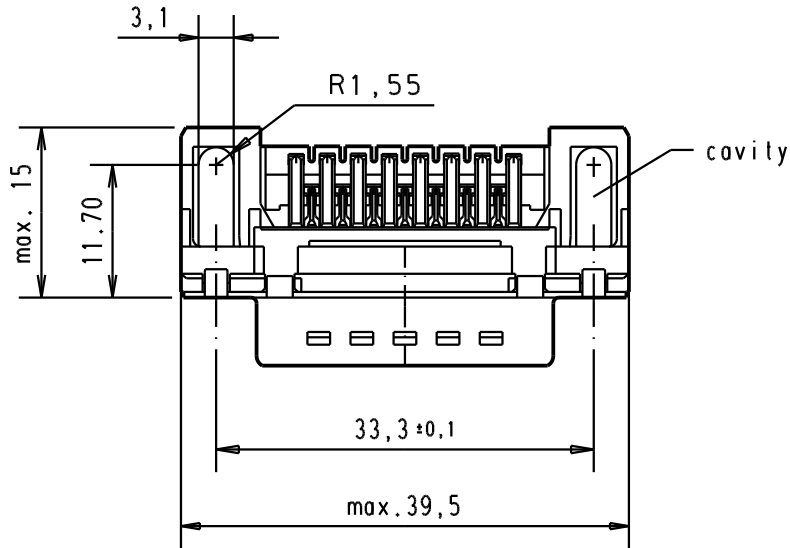
2

1

Mating face according to : MIL-C-24308 / DIN 41652 / CECC 75301-802

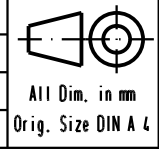


Printed board layout component side



09 65 222 3801	M3	1								
09 65 222 6801	M3	2								
09 65 222 7801	M3	3	31892	22/04/04	JH					
09 65 222 3802	4-40 UNC	1	29773	18-APR-02	CV					
09 65 222 6802	4-40 UNC	2	29689	02/07/01	AA					
09 65 222 7802	4-40 UNC	3	27960	11/dec/00	ALSPACE					
Part number	Nut thread	Performance level	Mod.	Dat.	Name					

	Dat.	Name
Detail.	11/dec/00	ALSPACE
Insp.		
Stand.		



All Dim. in mm
Orig. Size DIN A 4

D-Sub, male, standard angle, 15 poles, with solder pin, nut and hole

Moßstab/
Scale
1.5:1

HARTING EURL
F-95972 Paris



TB 0965222x80x

Blatt/ Page
2

Sub.