



Chipsmall Limited consists of a professional team with an average of over 10 year of expertise in the distribution of electronic components. Based in Hongkong, we have already established firm and mutual-benefit business relationships with customers from,Europe,America and south Asia,supplying obsolete and hard-to-find components to meet their specific needs.

With the principle of “Quality Parts,Customers Priority,Honest Operation,and Considerate Service”,our business mainly focus on the distribution of electronic components. Line cards we deal with include Microchip,ALPS,ROHM,Xilinx,Pulse,ON,Everlight and Freescale. Main products comprise IC,Modules,Potentiometer,IC Socket,Relay,Connector.Our parts cover such applications as commercial,industrial, and automotives areas.

We are looking forward to setting up business relationship with you and hope to provide you with the best service and solution. Let us make a better world for our industry!



Contact us

Tel: +86-755-8981 8866 Fax: +86-755-8427 6832

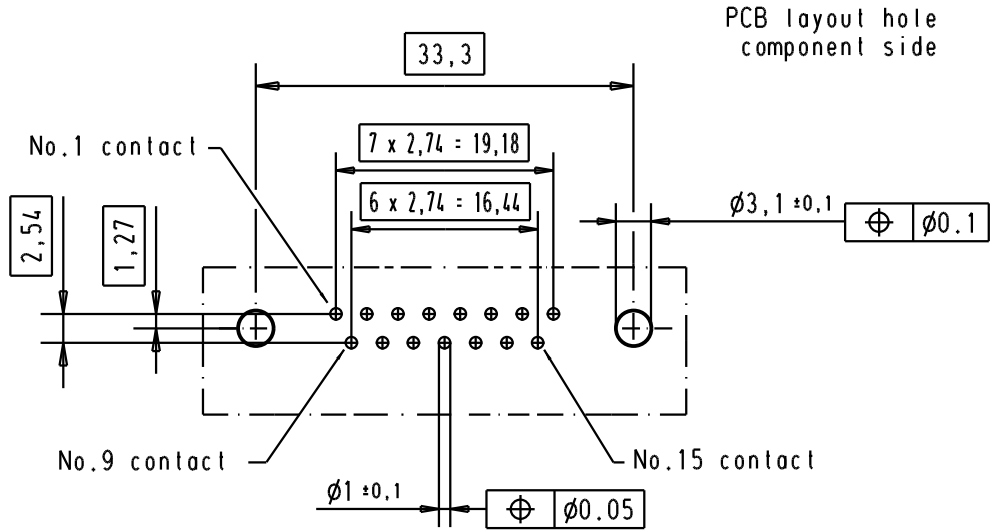
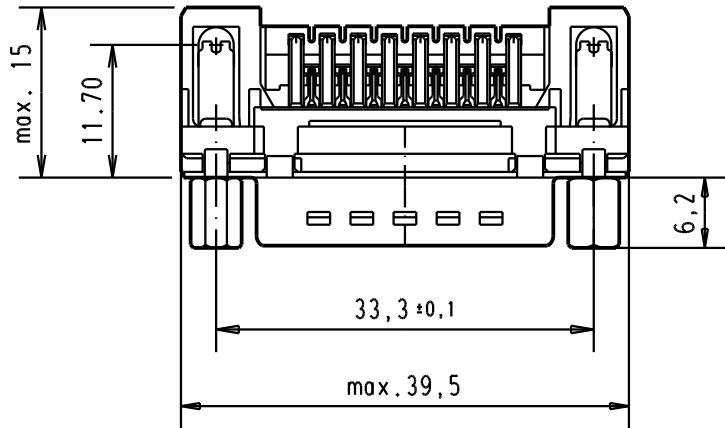
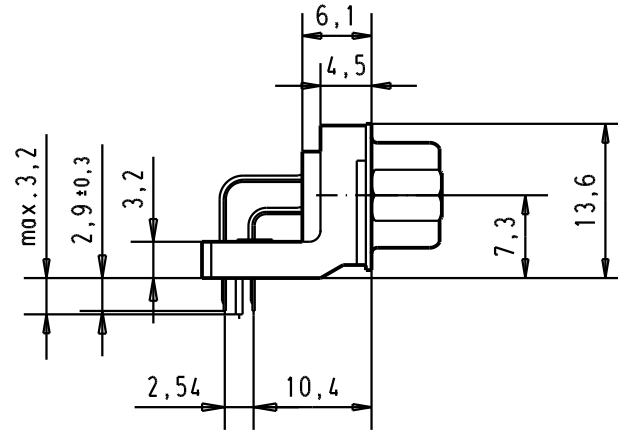
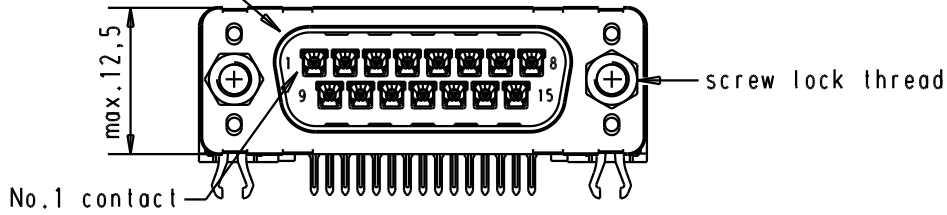
Email & Skype: info@chipsmall.com Web: www.chipsmall.com

Address: A1208, Overseas Decoration Building, #122 Zhenhua RD., Futian, Shenzhen, China



5 4 3 2 1

Mating face according to : MIL-C-24308 / DIN 41652 / CECC 75301-802



Connector retention and insertion forces on the PCB = 25 / 80 newtons

A	09 65 262 3833	M3	1							<p>All Dim. in mm Orig. Size DIN A 4</p>	D-Sub, male, standard angle, 15 poles, with solder pin, screw lock and grounding board lock	Maßstab/ Scale 1.5:1
	09 65 262 6833	M3	2				Detail.	04/SEP/02	YT			
	09 65 262 7833	M3	3				Insp.					
	09 65 262 3813	4-40 UNC	1				Stand.					
	09 65 262 6813	4-40 UNC	2	31892	22/04/04	JH	HARTING EUROL F-95972 Paris				TB 0965262x8x3	Blatt/ Page 1 /
	09 65 262 7813	4-40 UNC	3	31084	04/SEP/02	YT						
	Part number	Screw lock thread	Performance level	Mod.	Dat.	Name				Sub.		