



Chipsmall Limited consists of a professional team with an average of over 10 year of expertise in the distribution of electronic components. Based in Hongkong, we have already established firm and mutual-benefit business relationships with customers from,Europe,America and south Asia,supplying obsolete and hard-to-find components to meet their specific needs.

With the principle of “Quality Parts,Customers Priority,Honest Operation,and Considerate Service”,our business mainly focus on the distribution of electronic components. Line cards we deal with include Microchip,ALPS,ROHM,Xilinx,Pulse,ON,Everlight and Freescale. Main products comprise IC,Modules,Potentiometer,IC Socket,Relay,Connector.Our parts cover such applications as commercial,industrial, and automotives areas.

We are looking forward to setting up business relationship with you and hope to provide you with the best service and solution. Let us make a better world for our industry!



Contact us

Tel: +86-755-8981 8866 Fax: +86-755-8427 6832

Email & Skype: info@chipsmall.com Web: www.chipsmall.com

Address: A1208, Overseas Decoration Building, #122 Zhenhua RD., Futian, Shenzhen, China



5

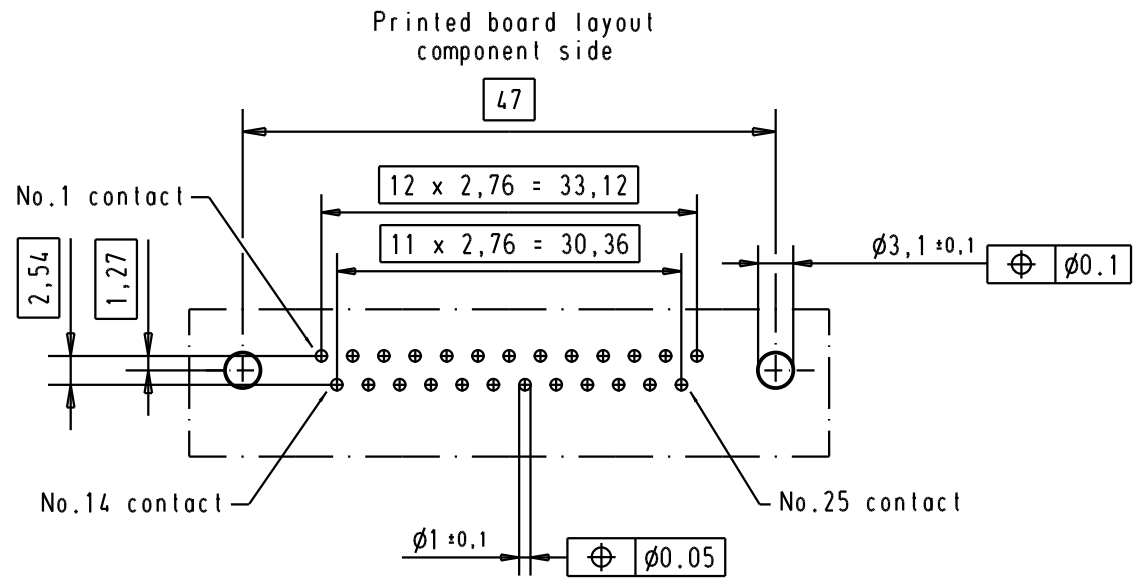
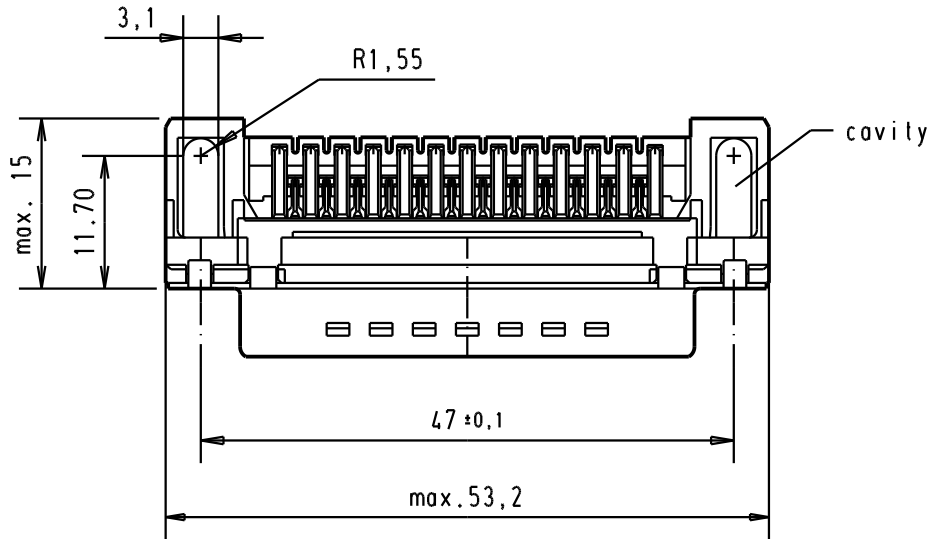
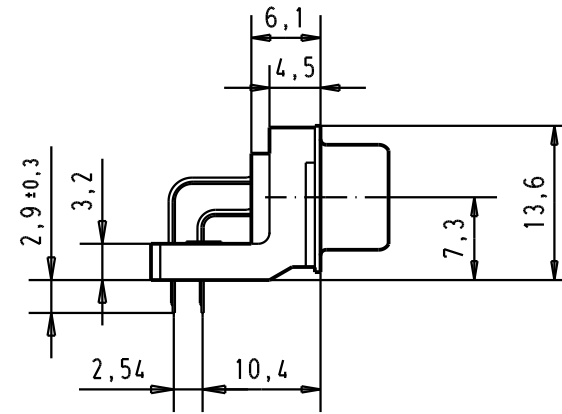
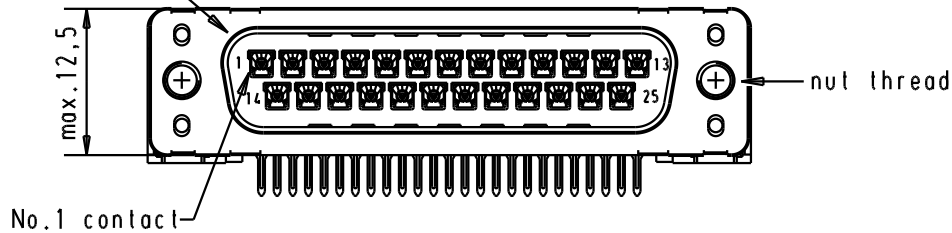
4

3

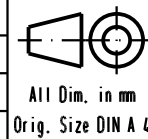
2

1

Mating face according to : MIL-C-24308 / DIN 41652 / CECC 75301-802



Part number	Nut thread	Performance level	Mod.	Dat.	Name	Dat.	Name
09 65 322 3801	M3	1					
09 65 322 6801	M3	2				Detail.	13/dec/00 ALSPACE
09 65 322 7801	M3	3	31892	22/04/04	JH	Insp.	
09 65 322 3802	4-40 UNC	1	29773	18-APR-02	CV	Stand.	
09 65 322 6802	4-40 UNC	2	29689	02/07/01	AA		
09 65 322 7802	4-40 UNC	3	27960	13/dec/00	ALSPACE		
						HARTING EURL F-95972 Paris	



D-Sub, male, standard angle,
25 poles, with solder pin,
nut and hole

Moßstab/
Scale
1.5:1



TB 0965322x80x

Blatt/ Page
2

Sub.