



Chipsmall Limited consists of a professional team with an average of over 10 year of expertise in the distribution of electronic components. Based in Hongkong, we have already established firm and mutual-benefit business relationships with customers from,Europe,America and south Asia,supplying obsolete and hard-to-find components to meet their specific needs.

With the principle of "Quality Parts,Customers Priority,Honest Operation,and Considerate Service",our business mainly focus on the distribution of electronic components. Line cards we deal with include Microchip,ALPS,ROHM,Xilinx,Pulse,ON,Everlight and Freescale. Main products comprise IC,Modules,Potentiometer,IC Socket,Relay,Connector.Our parts cover such applications as commercial,industrial, and automotives areas.

We are looking forward to setting up business relationship with you and hope to provide you with the best service and solution. Let us make a better world for our industry!



## Contact us

Tel: +86-755-8981 8866 Fax: +86-755-8427 6832

Email & Skype: info@chipsmall.com Web: www.chipsmall.com

Address: A1208, Overseas Decoration Building, #122 Zhenhua RD., Futian, Shenzhen, China



5

4

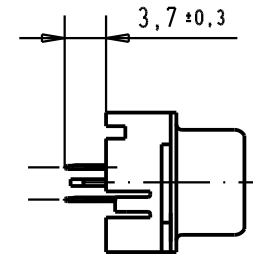
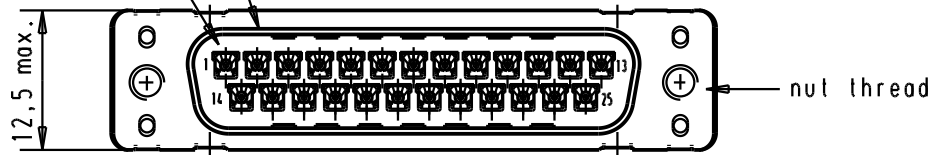
3

2

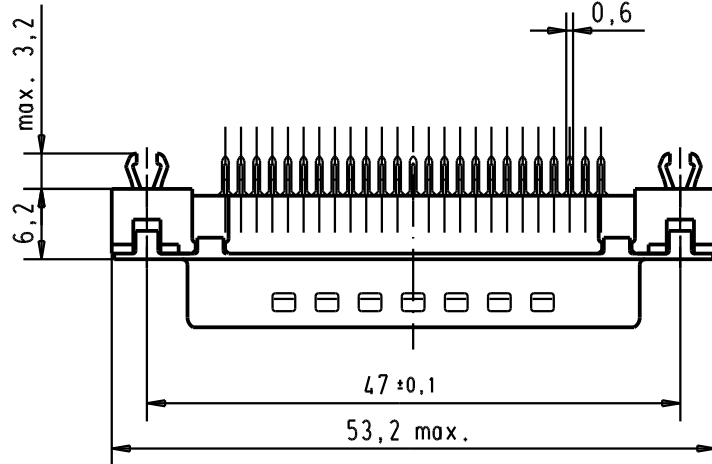
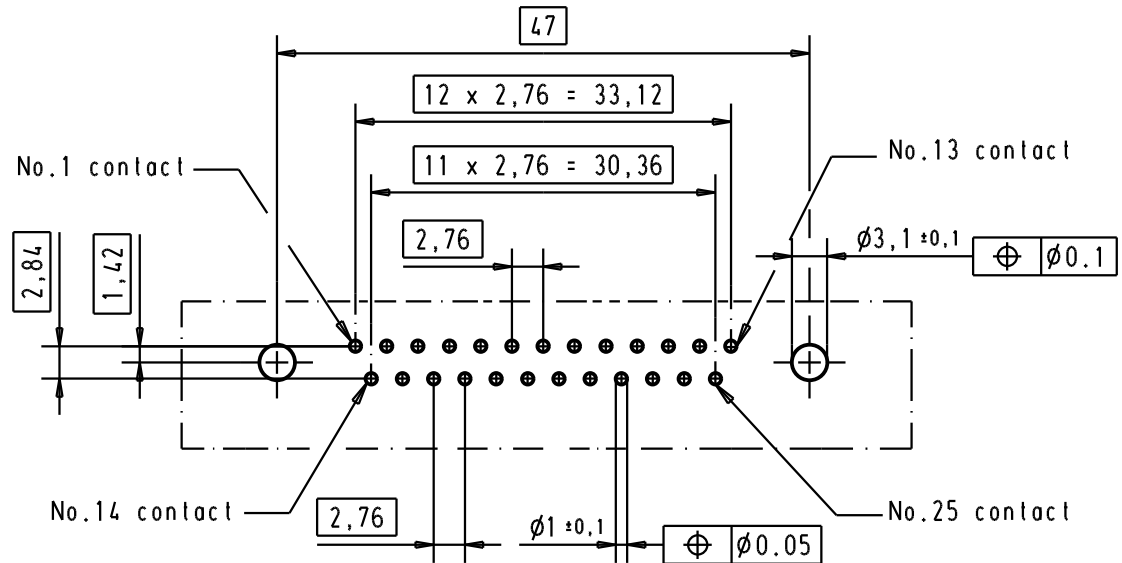
1

Mating face according to : MIL-C-24308 / DIN 41652 / CECC 75301-802

No.1 contact



Printed board layout  
component side



Connector retention and insertion forces on the PCB = 25 / 80 Newtons.

A

09 65 361 3711	M3	1								<p>All Dim. in mm Orig. Size DIN A 4</p>	D-Sub, 25 poles, male, straight with solder pins 3,7 nuts and grounding board lock.	Maßstab/ Scale 1.5:1
09 65 361 6711	M3	2					Det.	05/03/02	CV			
09 65 361 7711	M3	3					Insp.					
09 65 361 3712	4-40 UNC	1	31892	22/04/04	JH		Stand.					
09 65 361 6712	4-40 UNC	2	31523	11/07/03	TCP	HARTING EURL F-95972 Paris					TB 09 65 361 x71x	Blatt/ Page 1/
09 65 361 7712	4-40 UNC	3	29723	05/03/02	CV							
Part number	Nut thread	Performance level	Mod.	Dat.	Name					Sub.		