



Chipsmall Limited consists of a professional team with an average of over 10 year of expertise in the distribution of electronic components. Based in Hongkong, we have already established firm and mutual-benefit business relationships with customers from,Europe,America and south Asia,supplying obsolete and hard-to-find components to meet their specific needs.

With the principle of “Quality Parts,Customers Priority,Honest Operation,and Considerate Service”,our business mainly focus on the distribution of electronic components. Line cards we deal with include Microchip,ALPS,ROHM,Xilinx,Pulse,ON,Everlight and Freescale. Main products comprise IC,Modules,Potentiometer,IC Socket,Relay,Connector.Our parts cover such applications as commercial,industrial, and automotives areas.

We are looking forward to setting up business relationship with you and hope to provide you with the best service and solution. Let us make a better world for our industry!



Contact us

Tel: +86-755-8981 8866 Fax: +86-755-8427 6832

Email & Skype: info@chipsmall.com Web: www.chipsmall.com

Address: A1208, Overseas Decoration Building, #122 Zhenhua RD., Futian, Shenzhen, China



5

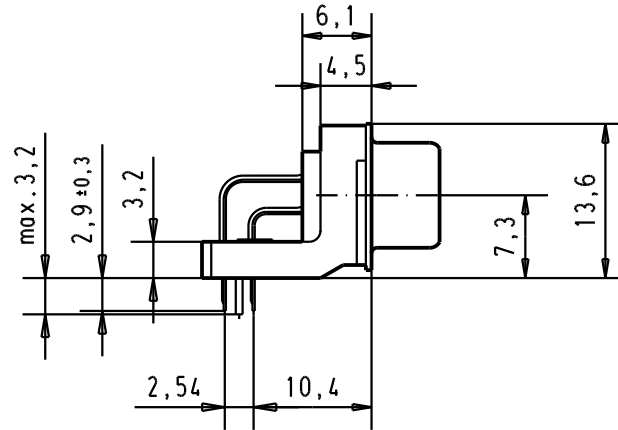
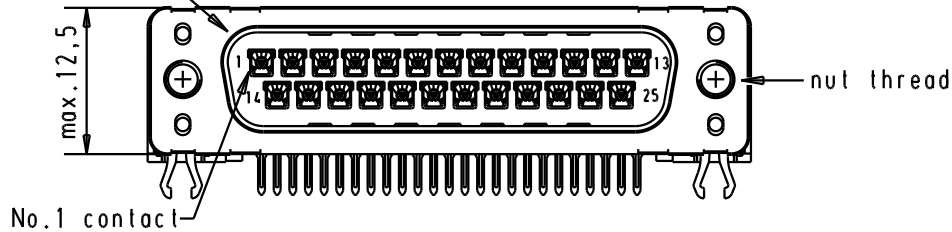
4

3

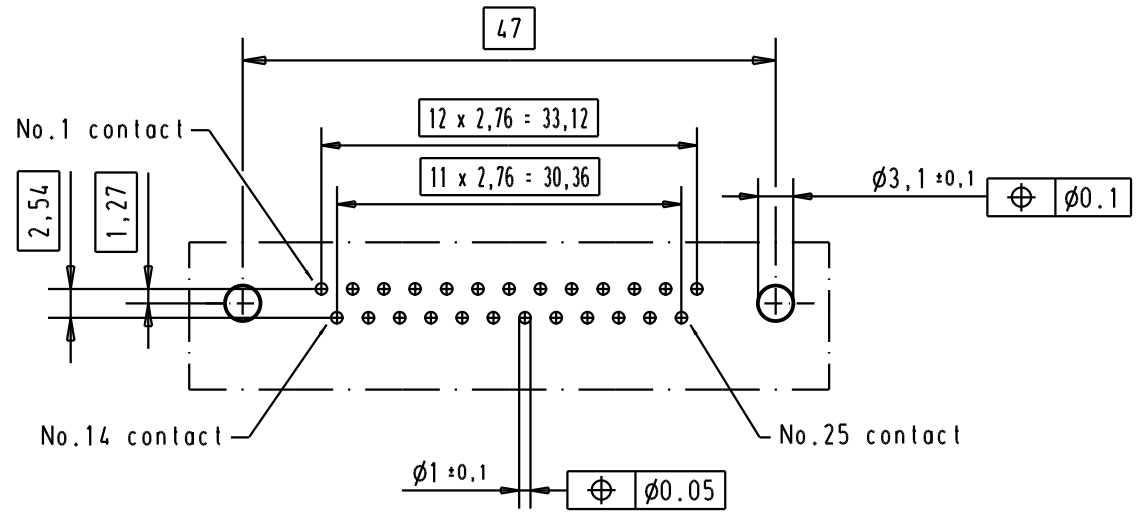
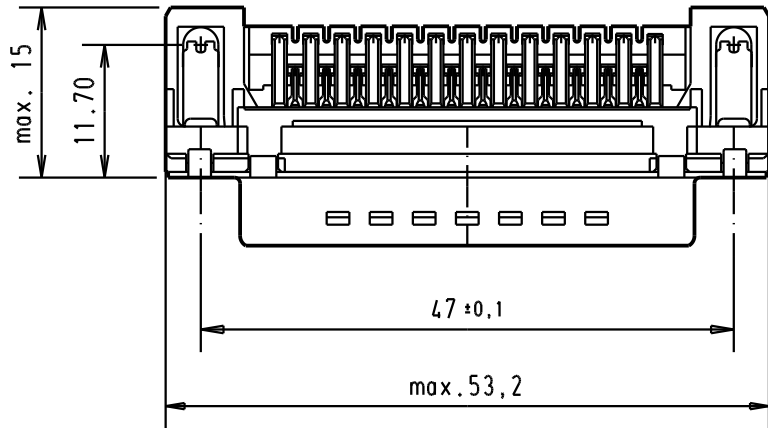
2

1



Mating face according to : MIL-C-24308 / DIN 41652 / CECC 75301-802



PCB layout hole component side



Connector retention and insertion forces on the PCB = 25 / 80 newtons

Part number	Nut thread	Performance level	Mod.	Dat.	Name	Dat.	Name	 All Dim. in mm Orig. Size DIN A 4		Moßstab/ Scale
09 65 362 3811	M3	1							D-Sub, male, standard angle, 25 poles, with solder pin, nut and grounding board lock.	1.5:1
09 65 362 6811	M3	2				Detail.	15/dec/00	ALSPACE		
09 65 362 7811	M3	3	31892	22/04/04	JH	Insp.				
09 65 362 3812	4-40 UNC	1	31084	04/09/02	YT	Stand.			 TB 0965362x81x	Blatt/ Page 5
09 65 362 6812	4-40 UNC	2	29689	03/07/01	AA	HARTING EURL F-95972 Paris				
09 65 362 7812	4-40 UNC	3	27960	15/dec/00	ALSPACE	Sub.				