



Chipsmall Limited consists of a professional team with an average of over 10 year of expertise in the distribution of electronic components. Based in Hongkong, we have already established firm and mutual-benefit business relationships with customers from,Europe,America and south Asia,supplying obsolete and hard-to-find components to meet their specific needs.

With the principle of “Quality Parts,Customers Priority,Honest Operation,and Considerate Service”,our business mainly focus on the distribution of electronic components. Line cards we deal with include Microchip,ALPS,ROHM,Xilinx,Pulse,ON,Everlight and Freescale. Main products comprise IC,Modules,Potentiometer,IC Socket,Relay,Connector.Our parts cover such applications as commercial,industrial, and automotives areas.

We are looking forward to setting up business relationship with you and hope to provide you with the best service and solution. Let us make a better world for our industry!



## Contact us

Tel: +86-755-8981 8866 Fax: +86-755-8427 6832

Email & Skype: info@chipsmall.com Web: www.chipsmall.com

Address: A1208, Overseas Decoration Building, #122 Zhenhua RD., Futian, Shenzhen, China



5

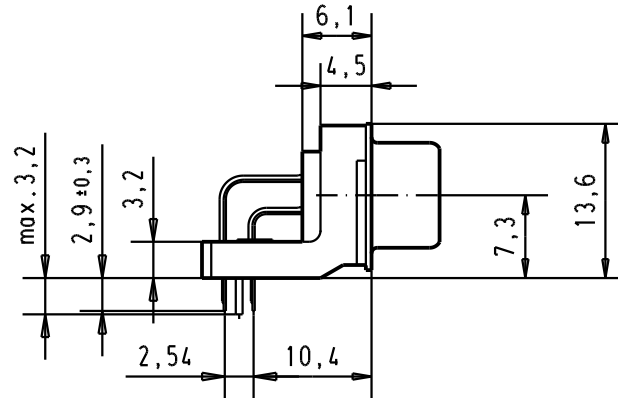
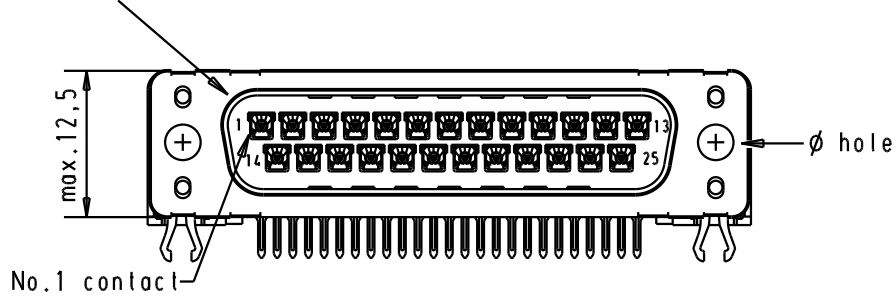
4

3

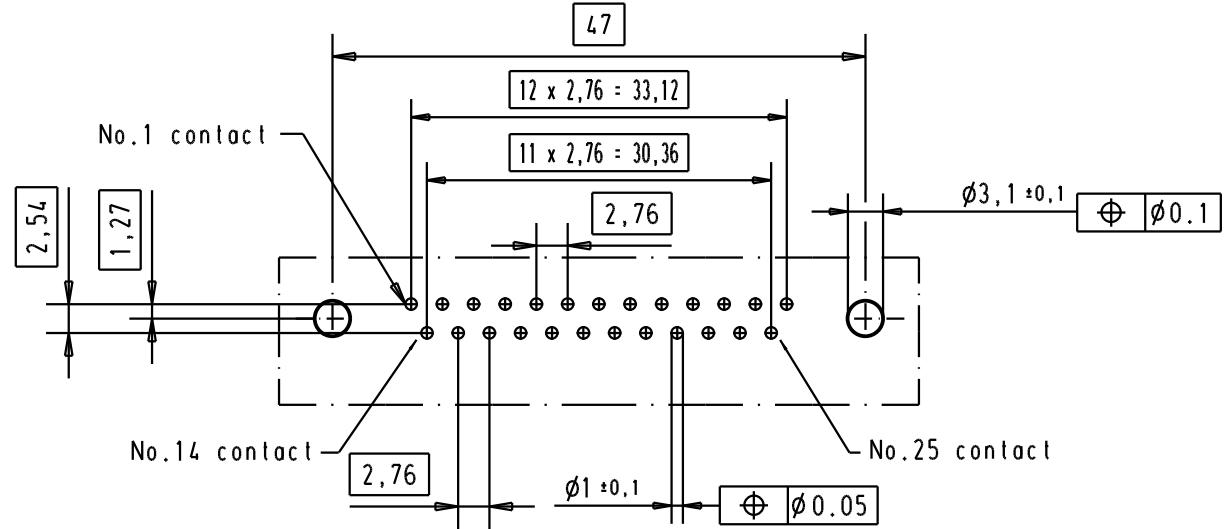
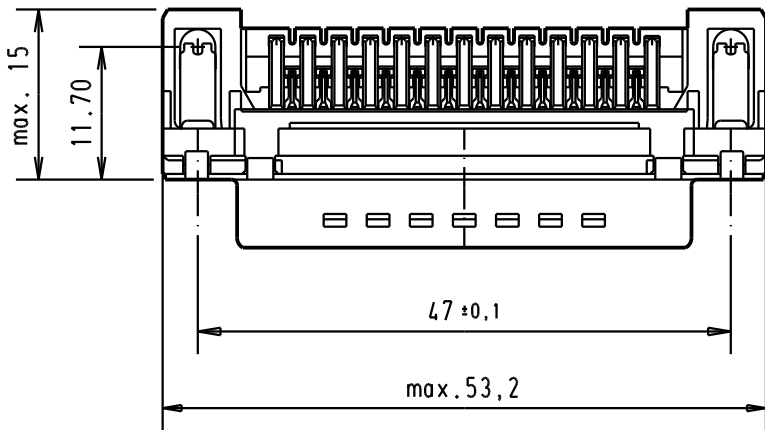
2

1

Mating face according to : MIL-C-24308 / DIN 41652 / CECC 75301-802



PCB layout hole  
component side



Connector retention and insertion forces on the PCB = 25 / 80 newtons

A

							Det.	Name	 All Dim. in mm Orig. Size DIN A 4	D-Sub, high temperature, male, standard, 25 poles, with solder pins 2.9, holes and grounding board lock.	Maßstab/ Scale  1.5:1
						Detail.	05/03/02	CV			
						Insp.					
09 65 366 3810	3.1 $\pm$ 0.1	1				Stand.					
09 65 366 6810	3.1 $\pm$ 0.1	2	31892	22/04/04	JH	HARTING EUROL F-95972 Paris				TB 0965366x81x	Blatt/ Page 2
09 65 366 7810	3.1 $\pm$ 0.1	3	29723	05/03/02	CV						
Part number	$\phi$ hole	Performance level	Mod.	Det.	Name					Sub.	