



Chipsmall Limited consists of a professional team with an average of over 10 year of expertise in the distribution of electronic components. Based in Hongkong, we have already established firm and mutual-benefit business relationships with customers from,Europe,America and south Asia,supplying obsolete and hard-to-find components to meet their specific needs.

With the principle of "Quality Parts,Customers Priority,Honest Operation,and Considerate Service",our business mainly focus on the distribution of electronic components. Line cards we deal with include Microchip,ALPS,ROHM,Xilinx,Pulse,ON,Everlight and Freescale. Main products comprise IC,Modules,Potentiometer,IC Socket,Relay,Connector.Our parts cover such applications as commercial,industrial, and automotives areas.

We are looking forward to setting up business relationship with you and hope to provide you with the best service and solution. Let us make a better world for our industry!



Contact us

Tel: +86-755-8981 8866 Fax: +86-755-8427 6832

Email & Skype: info@chipsmall.com Web: www.chipsmall.com

Address: A1208, Overseas Decoration Building, #122 Zhenhua RD., Futian, Shenzhen, China



5

4

3

2

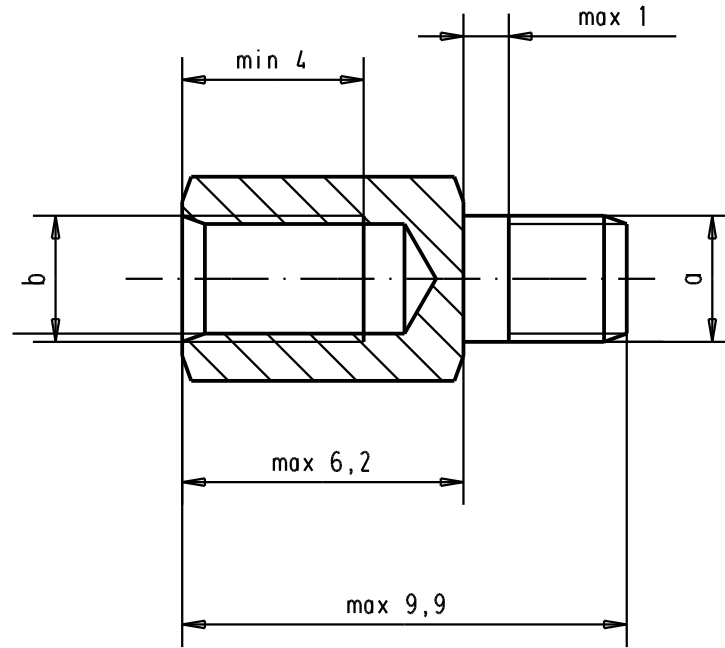
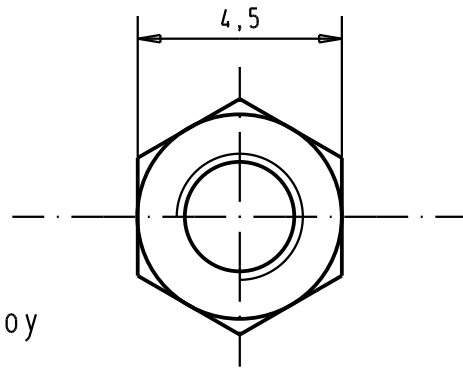
1

D

C

B

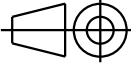

A



Material: Copper Alloy
Plating: Nickel

UNC 4-40
Screwing torque: max 0,7 Nm
Unscrewing torque: min 0,36 Nm

M3
Screwing torque: max 0,8 Nm
Unscrewing torque: min 0,5 Nm

 All Dimensions in mm Original Size DIN A 4				Techn. Character.			Free size tolerances		
					Dat.	Name	Scale 6:1	D-SUB Screw Lock	
				Detail	04-11-99	PP			
				Insp.					
				Stand.					
09660009976	M3/M3	M3	M3						
09660009972	4-40 UNC/4-40 UNC	4-40 UNC	4-40 UNC						
09660009974	M3/4-40 UNC	M3	4-40 UNC	32116	10/06/04	JH			
Part Number	Designation of Screw Lock	a	b	26551	04-11-99	PP			
		Mod.			Dat.	Name			
				HARTING EURL F 95972 Paris					TB 0966000997x
							Sub.		Page 1/1