



Chipsmall Limited consists of a professional team with an average of over 10 year of expertise in the distribution of electronic components. Based in Hongkong, we have already established firm and mutual-benefit business relationships with customers from,Europe,America and south Asia,supplying obsolete and hard-to-find components to meet their specific needs.

With the principle of “Quality Parts,Customers Priority,Honest Operation,and Considerate Service”,our business mainly focus on the distribution of electronic components. Line cards we deal with include Microchip,ALPS,ROHM,Xilinx,Pulse,ON,Everlight and Freescale. Main products comprise IC,Modules,Potentiometer,IC Socket,Relay,Connector.Our parts cover such applications as commercial,industrial, and automotives areas.

We are looking forward to setting up business relationship with you and hope to provide you with the best service and solution. Let us make a better world for our industry!



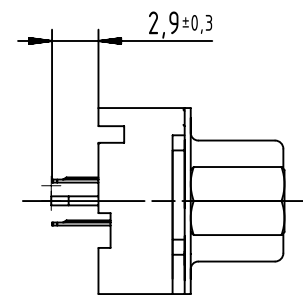
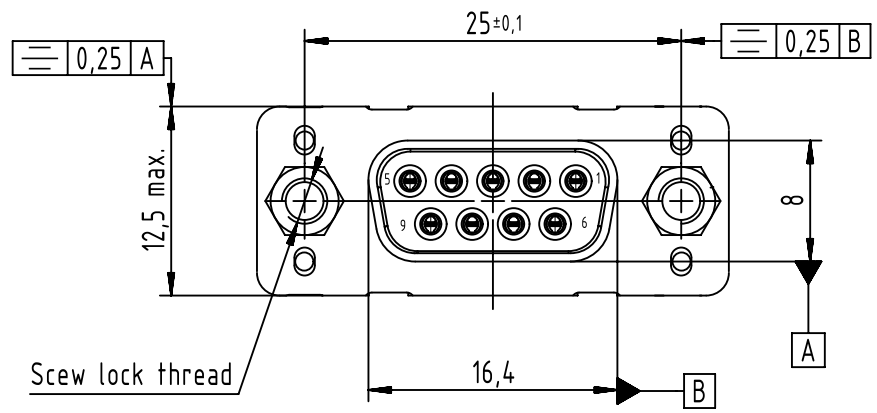
Contact us

Tel: +86-755-8981 8866 Fax: +86-755-8427 6832

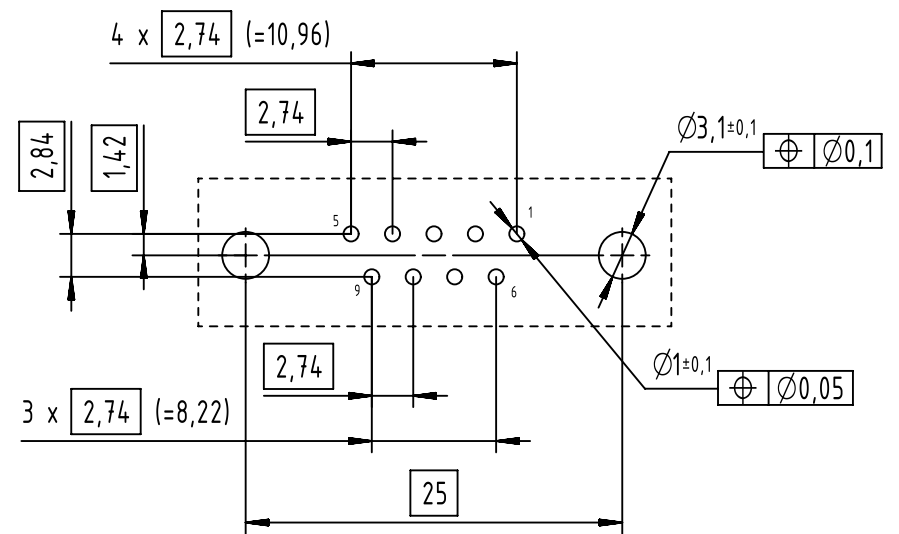
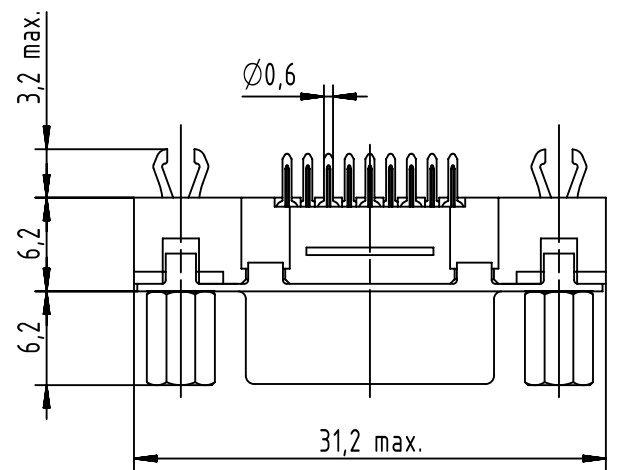
Email & Skype: info@chipsmall.com Web: www.chipsmall.com

Address: A1208, Overseas Decoration Building, #122 Zhenhua RD., Futian, Shenzhen, China

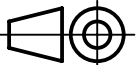





PC-Board layout
view component side
thickness 1,6 mm



Connection retention and insertion forces on PC-Board: 25 N / 80 N

09661513533	M3	PL1	 All Dimensions in mm Original Size DIN A4	Scale 2:1	Free size tol.			Ref.
09661516533	M3	PL2		Created by SONN	Inspected by BAGDIKIAN	Standardisation HOFFMANN	Date 2014-09-11	Sub.
09661517533	M3	PL3		All rights reserved			State Final Release	
09661513513	4-40 UNC	PL1	 Department EC PD - FR HARTING Electronics GmbH D-32339 Espelkamp	Title D-Sub 9-pole Female Straight			Doc-Key / ECM-Nr. 100507025/UGD/001/B 500000079204	
09661516513	4-40 UNC	PL2		Type TB	Number 0966151X5X3			Rev. B
09661517513	4-40 UNC	PL3					Page 1/1	
Part number	Scew lock thread	Performance level						