



Chipsmall Limited consists of a professional team with an average of over 10 year of expertise in the distribution of electronic components. Based in Hongkong, we have already established firm and mutual-benefit business relationships with customers from,Europe,America and south Asia,supplying obsolete and hard-to-find components to meet their specific needs.

With the principle of “Quality Parts,Customers Priority,Honest Operation,and Considerate Service”,our business mainly focus on the distribution of electronic components. Line cards we deal with include Microchip,ALPS,ROHM,Xilinx,Pulse,ON,Everlight and Freescale. Main products comprise IC,Modules,Potentiometer,IC Socket,Relay,Connector.Our parts cover such applications as commercial,industrial, and automotives areas.

We are looking forward to setting up business relationship with you and hope to provide you with the best service and solution. Let us make a better world for our industry!



## Contact us

Tel: +86-755-8981 8866 Fax: +86-755-8427 6832

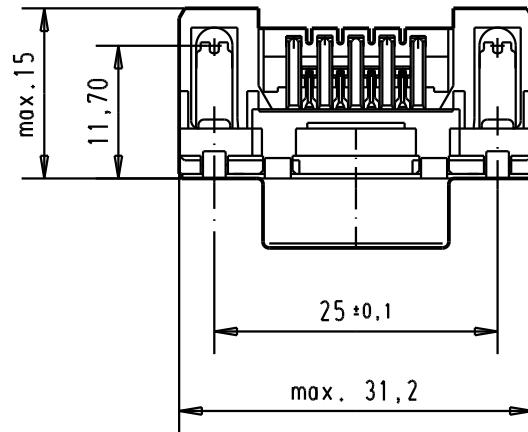
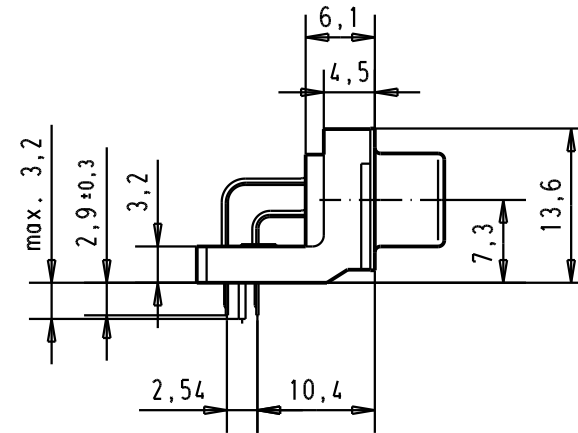
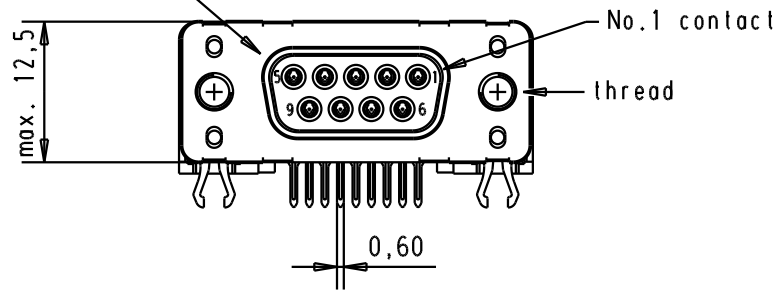
Email & Skype: info@chipsmall.com Web: www.chipsmall.com

Address: A1208, Overseas Decoration Building, #122 Zhenhua RD., Futian, Shenzhen, China

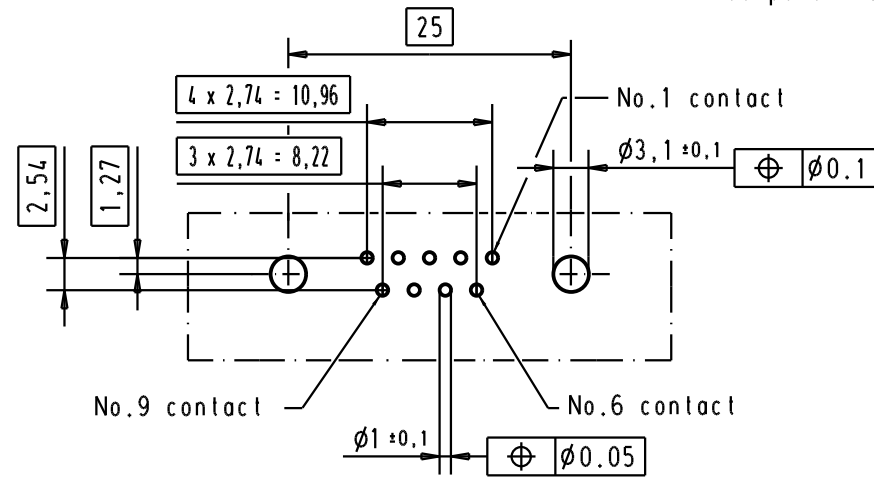


5 4 3 2 1



Mating face according to : MIL-C-24308 / DIN 41652 / CECC 75301-802



PCB layout hole component side



Connector retention and insertion forces on the PCB = 25 / 80 newtons

A	09 66 152 3611	M 3	1							 All Dim. in mm Orig. Size DIN A 4	D-Sub 09 poles standard angle female, solder pin with nut and grounding board lock.	Maßstab/ Scale 1.5:1
	09 66 152 6611	M 3	2				Detail.	20/nov/00	jfb			
	09 66 152 7611	M 3	3				Insp.					
	09 66 152 3612	4-40 UNC	1	31892	05/05/04	JH	Stand.				TB 0966152x61x	Blatt/ Page 5 / 5
	09 66 152 6612	4-40 UNC	2	31084	04/SEP/02	YT	HARTING EURL					
	09 66 152 7612	4-40 UNC	3	27957	20/nov/00	jfb	F-95972 Paris					
	Part number	Nut thread	Performance level	Mod.	Dat.	Name				Sub.		