



Chipsmall Limited consists of a professional team with an average of over 10 year of expertise in the distribution of electronic components. Based in Hongkong, we have already established firm and mutual-benefit business relationships with customers from,Europe,America and south Asia,supplying obsolete and hard-to-find components to meet their specific needs.

With the principle of “Quality Parts,Customers Priority,Honest Operation,and Considerate Service”,our business mainly focus on the distribution of electronic components. Line cards we deal with include Microchip,ALPS,ROHM,Xilinx,Pulse,ON,Everlight and Freescale. Main products comprise IC,Modules,Potentiometer,IC Socket,Relay,Connector.Our parts cover such applications as commercial,industrial, and automotives areas.

We are looking forward to setting up business relationship with you and hope to provide you with the best service and solution. Let us make a better world for our industry!



Contact us

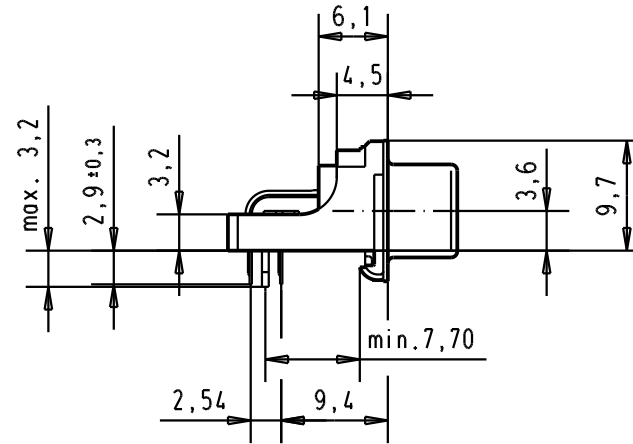
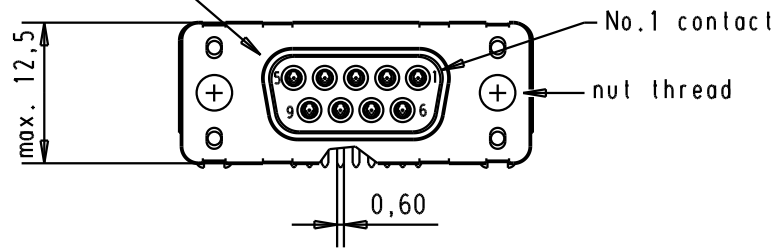
Tel: +86-755-8981 8866 Fax: +86-755-8427 6832

Email & Skype: info@chipsmall.com Web: www.chipsmall.com

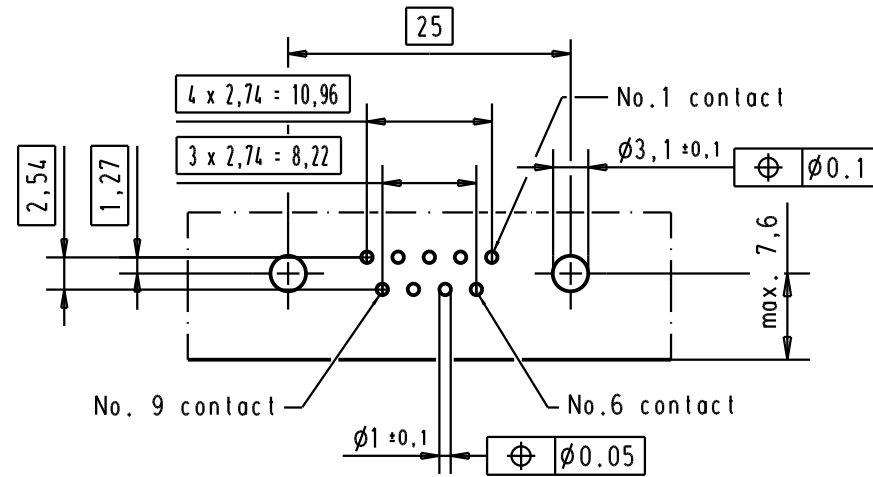
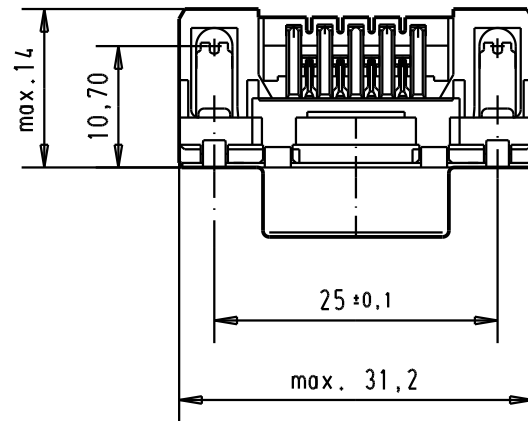
Address: A1208, Overseas Decoration Building, #122 Zhenhua RD., Futian, Shenzhen, China





Mating face according to : MIL-C-24308 / DIN 41652 / CECC 75301-802



PCB layout hole component side



Connector retention and insertion forces on the PCB = 25 / 80 newtons

Part number	Nut thread	Performance level	Mod.	Dat.	Name	Dat.	Name	All Dim. in mm Orig. Size DIN A 4		Moßstab/ Scale
09 66 152 3615	M 3	1								1.5:1
09 66 152 6615	M 3	2	31892	05/05/04	JH	Detail.	02/sept/00			
09 66 152 7615	M 3	3	31084	04/SEP/02	YT	Insp.			D-Sub 09 poles low profil angle female, solder pin with nut and grounding board lock.	Blatt/ Page 2 / 5
09 66 152 3616	4-40 UNC	1	27961	24/nov/00	jfb	Stand.				
09 66 152 6616	4-40 UNC	2	27952	26/oct/00	jfb	HARTING EURL F-95972 Paris				
09 66 152 7616	4-40 UNC	3	27948	02/sept/00	jfb					
Part number		Nut thread	Performance level	Mod.	Dat.	Name				Sub.

TB 0966152x61x

