



Chipsmall Limited consists of a professional team with an average of over 10 year of expertise in the distribution of electronic components. Based in Hongkong, we have already established firm and mutual-benefit business relationships with customers from,Europe,America and south Asia,supplying obsolete and hard-to-find components to meet their specific needs.

With the principle of “Quality Parts,Customers Priority,Honest Operation,and Considerate Service”,our business mainly focus on the distribution of electronic components. Line cards we deal with include Microchip,ALPS,ROHM,Xilinx,Pulse,ON,Everlight and Freescale. Main products comprise IC,Modules,Potentiometer,IC Socket,Relay,Connector.Our parts cover such applications as commercial,industrial, and automotives areas.

We are looking forward to setting up business relationship with you and hope to provide you with the best service and solution. Let us make a better world for our industry!



Contact us

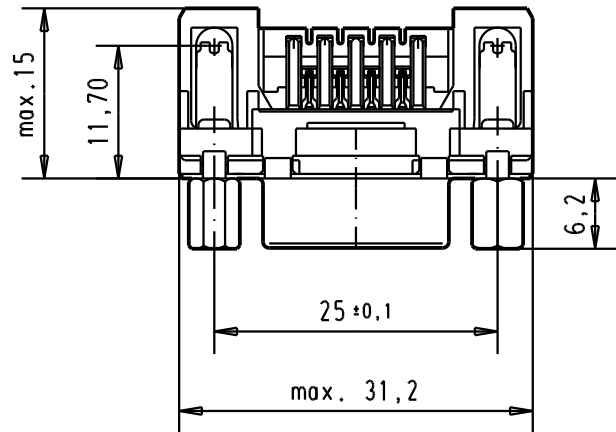
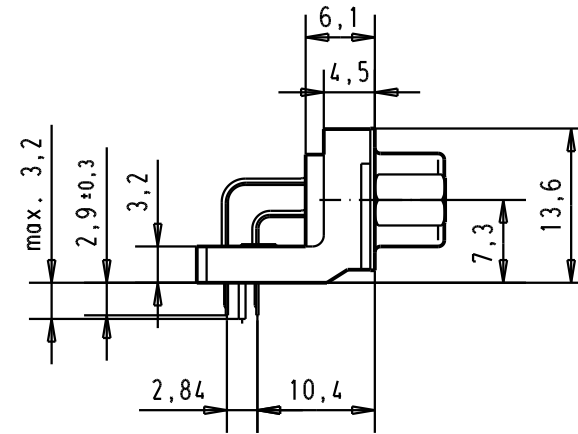
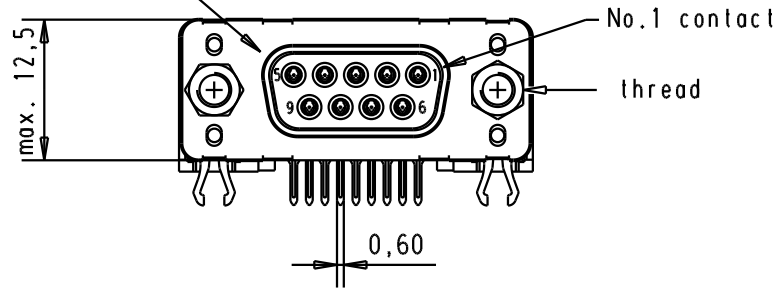
Tel: +86-755-8981 8866 Fax: +86-755-8427 6832

Email & Skype: info@chipsmall.com Web: www.chipsmall.com

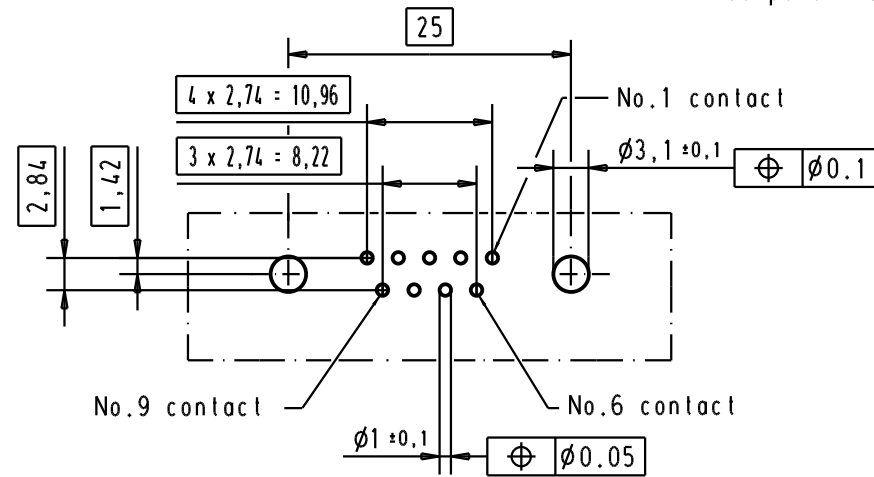
Address: A1208, Overseas Decoration Building, #122 Zhenhua RD., Futian, Shenzhen, China



Mating face according to : MIL-C-24308 / DIN 41652 / CECC 75301-802




PCB layout hole component side



Connector retention and insertion forces on the PCB = 25 / 80 newtons

A

Part number	Screw lock thread	Performance level	Mod.	Dat.	Name	DoI.	Name	All Dim. in mm Orig. Size DIN A 4		Moßstab/ Scale
09 66 153 3633	M3	1				Detail.	04/SEP/02	YT	D-Sub 09 poles standard angle female, solder pin with screw lock and grounding board lock.	1.5:1
09 66 153 6633	M3	2				Insp.				
09 66 153 7633	M3	3				Stand.				
09 66 153 3613	4-40 UNC	1							 TB 0966153x6x3 Sub.	Blatt/ Page 1 /
09 66 153 6613	4-40 UNC	2	31892	05/05/04	JH	HARTING EURL F-95972 Paris				
09 66 153 7613	4-40 UNC	3	31084	04/SEP/02	YT					