



Chipsmall Limited consists of a professional team with an average of over 10 year of expertise in the distribution of electronic components. Based in Hongkong, we have already established firm and mutual-benefit business relationships with customers from,Europe,America and south Asia,supplying obsolete and hard-to-find components to meet their specific needs.

With the principle of “Quality Parts,Customers Priority,Honest Operation,and Considerate Service”,our business mainly focus on the distribution of electronic components. Line cards we deal with include Microchip,ALPS,ROHM,Xilinx,Pulse,ON,Everlight and Freescale. Main products comprise IC,Modules,Potentiometer,IC Socket,Relay,Connector.Our parts cover such applications as commercial,industrial, and automotives areas.

We are looking forward to setting up business relationship with you and hope to provide you with the best service and solution. Let us make a better world for our industry!



Contact us

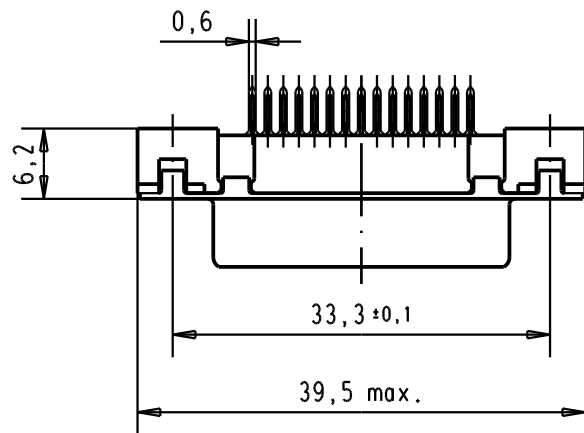
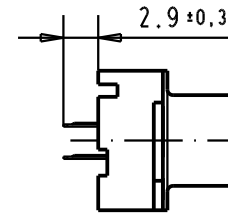
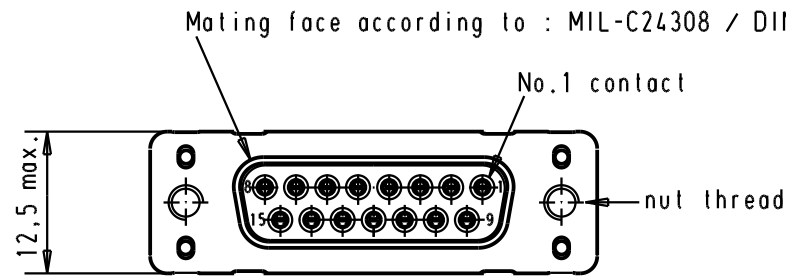
Tel: +86-755-8981 8866 Fax: +86-755-8427 6832

Email & Skype: info@chipsmall.com Web: www.chipsmall.com

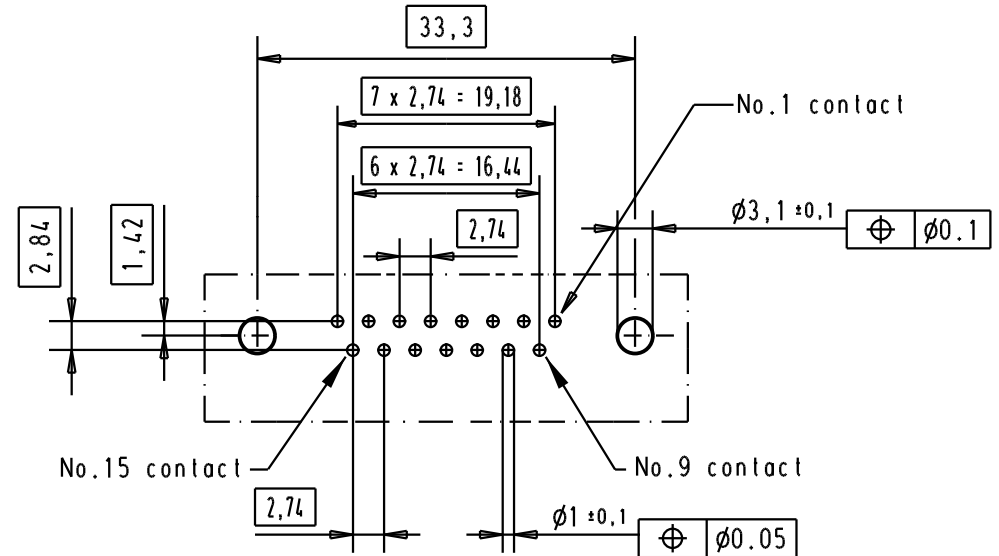
Address: A1208, Overseas Decoration Building, #122 Zhenhua RD., Futian, Shenzhen, China





5 4 3 2 1



Printed board layout component side



A	09 66 211 3501	M3	1							 All Dim. in mm Orig. Size DIN A 4	D-sub, 15 poles, female, straight, with solder pins 2.9, and nuts.	Maßstab/ Scale 1,5:1
	09 66 211 6501	M3	2				Detail.	05/03/02	CV			
	09 66 211 7501	M3	3				Insp.					
	09 66 211 3502	4-40 UNC	1				Stand.					
	09 66 211 6502	4-40 UNC	2	31892	05/05/04	JH	HARTING EURL F-95972 Paris					
	09 66 211 7502	4-40 UNC	3	29723	05/03/02	CV						
	Part number	Nut thread	Performance level	Mod.	Dat.	Name				 TB 09 66 211 x50x Sub.	Blatt/ Page 2	