



Chipsmall Limited consists of a professional team with an average of over 10 year of expertise in the distribution of electronic components. Based in Hongkong, we have already established firm and mutual-benefit business relationships with customers from,Europe,America and south Asia,supplying obsolete and hard-to-find components to meet their specific needs.

With the principle of “Quality Parts,Customers Priority,Honest Operation,and Considerate Service”,our business mainly focus on the distribution of electronic components. Line cards we deal with include Microchip,ALPS,ROHM,Xilinx,Pulse,ON,Everlight and Freescale. Main products comprise IC,Modules,Potentiometer,IC Socket,Relay,Connector.Our parts cover such applications as commercial,industrial, and automotives areas.

We are looking forward to setting up business relationship with you and hope to provide you with the best service and solution. Let us make a better world for our industry!



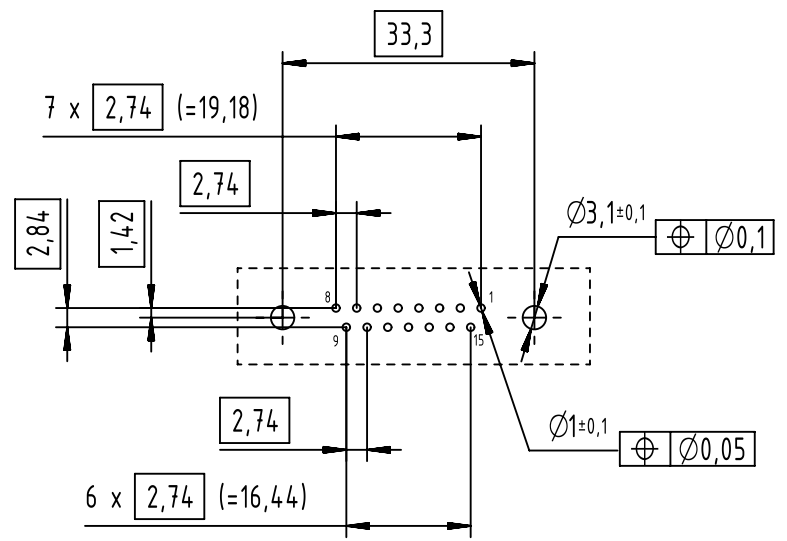
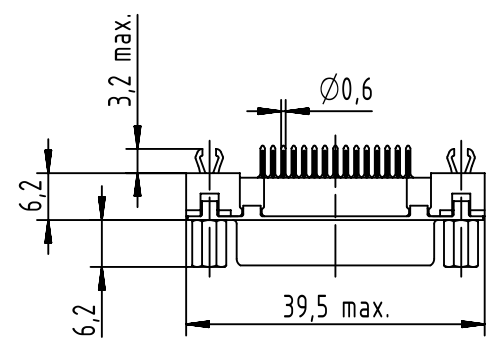
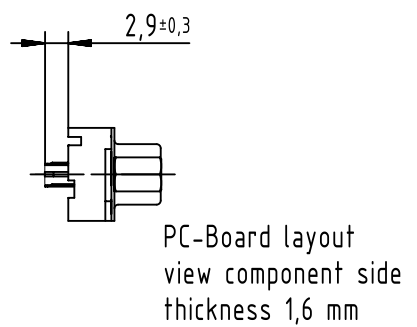
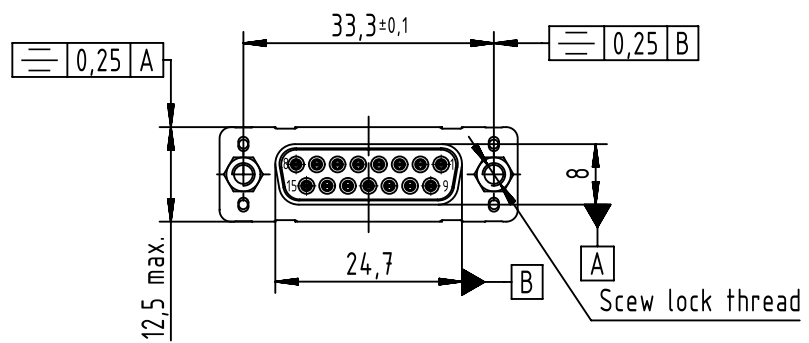
Contact us

Tel: +86-755-8981 8866 Fax: +86-755-8427 6832

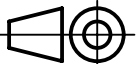

Email & Skype: info@chipsmall.com Web: www.chipsmall.com

Address: A1208, Overseas Decoration Building, #122 Zhenhua RD., Futian, Shenzhen, China





Connection retention and insertion forces on PC-Board: 25 N / 80 N

09662513533	M3	PL1	 All Dimensions in mm Original Size DIN A4	Scale 1:1	Free size tol.		Ref.	
09662516533	M3	PL2		 All rights reserved Department EC PD - FR	Created by SONN	Inspected by BAGDIKIAN	Standardisation HOFFMANN	Date 2014-09-11
09662517533	M3	PL3	HARTING Electronics GmbH D-32339 Espelkamp		Title D-Sub 15-pole Female Straight			Doc-Key / ECM-Nr. 100566511/UGD/001/B 500000079204
09662513513	4-40 UNC	PL1		Type TB	Number 0966251X5X3		Rev. B	Page 1/1
09662516513	4-40 UNC	PL2						
09662517513	4-40 UNC	PL3						
Part number	Scew lock thread	Performance level						