



Chipsmall Limited consists of a professional team with an average of over 10 year of expertise in the distribution of electronic components. Based in Hongkong, we have already established firm and mutual-benefit business relationships with customers from,Europe,America and south Asia,supplying obsolete and hard-to-find components to meet their specific needs.

With the principle of “Quality Parts,Customers Priority,Honest Operation,and Considerate Service”,our business mainly focus on the distribution of electronic components. Line cards we deal with include Microchip,ALPS,ROHM,Xilinx,Pulse,ON,Everlight and Freescale. Main products comprise IC,Modules,Potentiometer,IC Socket,Relay,Connector.Our parts cover such applications as commercial,industrial, and automotives areas.

We are looking forward to setting up business relationship with you and hope to provide you with the best service and solution. Let us make a better world for our industry!



## Contact us

Tel: +86-755-8981 8866 Fax: +86-755-8427 6832

Email & Skype: info@chipsmall.com Web: www.chipsmall.com

Address: A1208, Overseas Decoration Building, #122 Zhenhua RD., Futian, Shenzhen, China



5

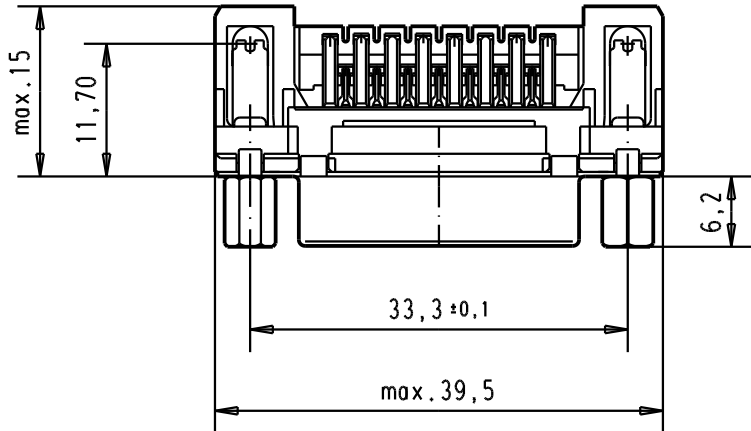
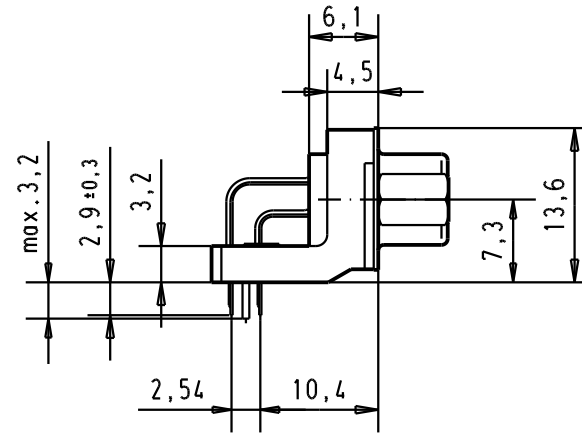
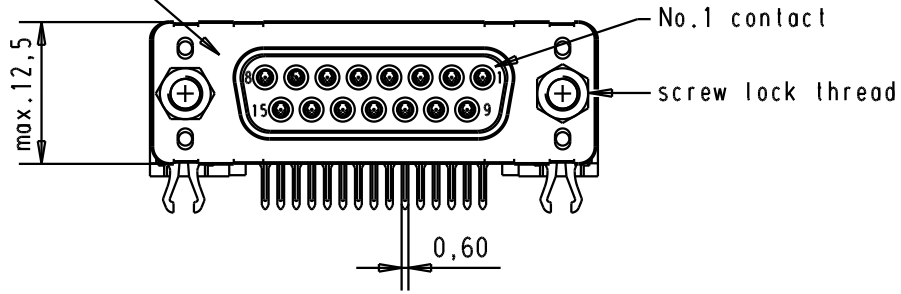
4

3

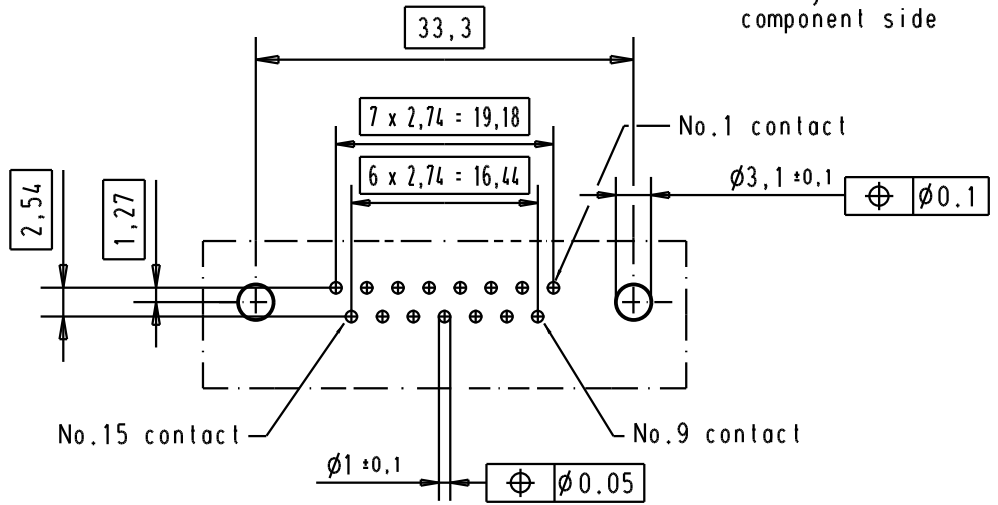
2

1

Mating face according to : MIL-C-24308 / DIN 41652 / CECC 75301-802

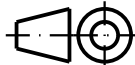



PCB layout hole component side



Connector retention and insertion forces on the PCB = 25 / 80 newtons

A

09 66 252 3633	M3	1								 All Dim. in mm Orig. Size DIN A 4	D-Sub 15 poles standard angle female, solder pin with screw lock and grounding board lock.	Maßstab/ Scale 1.5:1
09 66 252 6633	M3	2				Detail.	4-SEP-02	YT				
09 66 252 7633	M3	3				Insp.						
09 66 252 3613	4-40 UNC	1				Stand.						
09 66 252 6613	4-40 UNC	2	31892	05/05/04	JH	HARTING EURL F-95972 Paris				TB 0966252x6x3	Blatt/ Page 1 / 1	
09 66 252 7613	4-40 UNC	3	31084	4-SEP-02	YT							
Part number	Screw lock thread	Performance level	Mod.	Dat.	Name				Sub.			