



Chipsmall Limited consists of a professional team with an average of over 10 year of expertise in the distribution of electronic components. Based in Hongkong, we have already established firm and mutual-benefit business relationships with customers from,Europe,America and south Asia,supplying obsolete and hard-to-find components to meet their specific needs.

With the principle of "Quality Parts,Customers Priority,Honest Operation,and Considerate Service",our business mainly focus on the distribution of electronic components. Line cards we deal with include Microchip,ALPS,ROHM,Xilinx,Pulse,ON,Everlight and Freescale. Main products comprise IC,Modules,Potentiometer,IC Socket,Relay,Connector.Our parts cover such applications as commercial,industrial, and automotives areas.

We are looking forward to setting up business relationship with you and hope to provide you with the best service and solution. Let us make a better world for our industry!



## Contact us

Tel: +86-755-8981 8866 Fax: +86-755-8427 6832

Email & Skype: info@chipsmall.com Web: www.chipsmall.com

Address: A1208, Overseas Decoration Building, #122 Zhenhua RD., Futian, Shenzhen, China



5

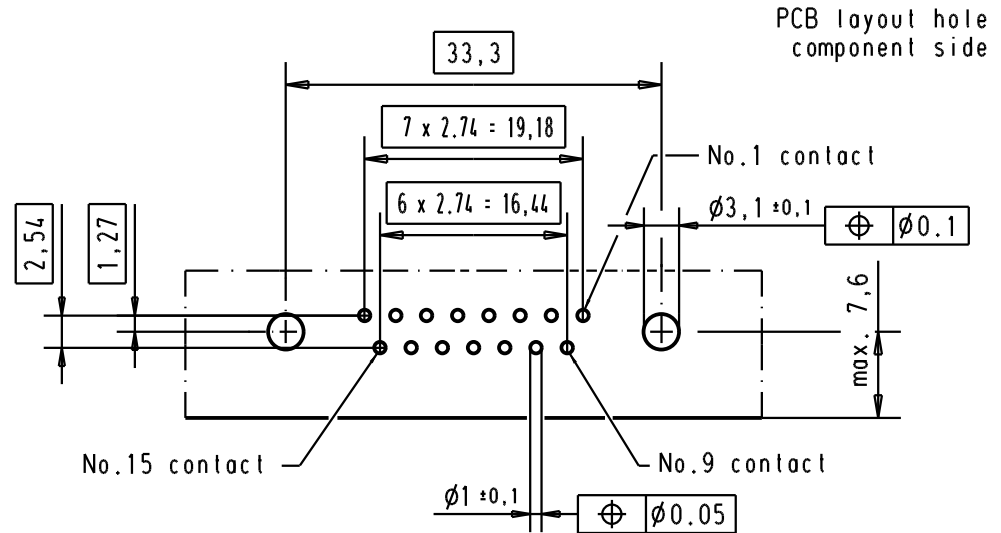
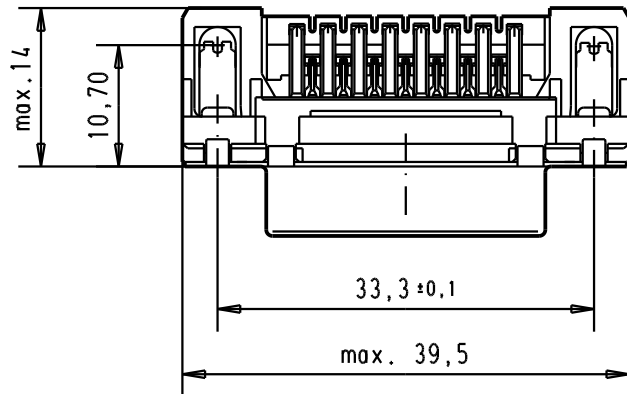
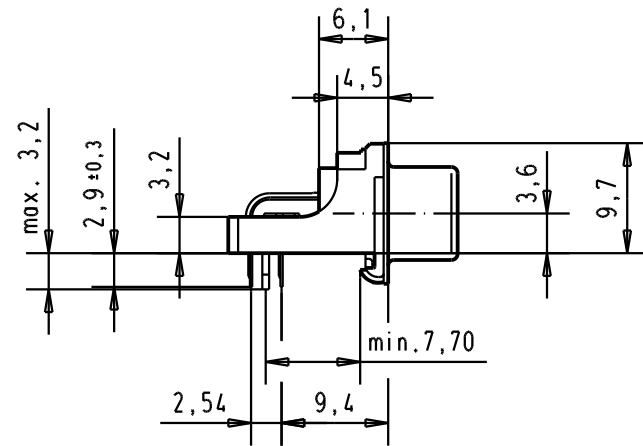
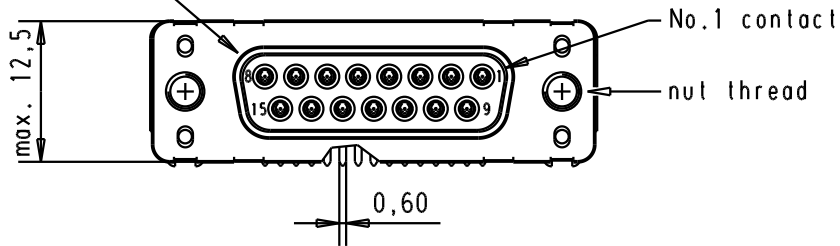
4

3

2

1

Mating face according to : MIL-C-24308 / DIN 41652 / CECC 75301-802



Connector retention and insertion forces on the PCB = 25 / 80 newtons

A

09 66 252 3615	M 3	1					Dat.	Name	<p>All Dim. in mm Orig. Size DIN A 4</p>	D-Sub 15 poles low profil angle female, solder pin with nut and grounding board lock.	Maßstab/ Scale 1.5:1
09 66 252 6615	M 3	2	31892	05/05/04	JH	Detail.	02/sept/00	jfb			
09 66 252 7615	M 3	3	31084	04/SEP/02	YT	Insp.					
09 66 252 3616	4-40 UNC	1	27961	24/nov/00	jfb	Stand.					
09 66 252 6616	4-40 UNC	2	27952	26/oct/00	jfb						
09 66 252 7616	4-40 UNC	3	27948	02/sept/00	jfb						
Part number	Nut thread	Performance level	Mod.	Dat.	Name	HARTING EURL F-95972 Paris				TB 0966252x61x	Blatt/ Page 2 / 5
										Sub.	