



Chipsmall Limited consists of a professional team with an average of over 10 year of expertise in the distribution of electronic components. Based in Hongkong, we have already established firm and mutual-benefit business relationships with customers from,Europe,America and south Asia,supplying obsolete and hard-to-find components to meet their specific needs.

With the principle of "Quality Parts,Customers Priority,Honest Operation,and Considerate Service",our business mainly focus on the distribution of electronic components. Line cards we deal with include Microchip,ALPS,ROHM,Xilinx,Pulse,ON,Everlight and Freescale. Main products comprise IC,Modules,Potentiometer,IC Socket,Relay,Connector.Our parts cover such applications as commercial,industrial, and automotives areas.

We are looking forward to setting up business relationship with you and hope to provide you with the best service and solution. Let us make a better world for our industry!



Contact us

Tel: +86-755-8981 8866 Fax: +86-755-8427 6832

Email & Skype: info@chipsmall.com Web: www.chipsmall.com

Address: A1208, Overseas Decoration Building, #122 Zhenhua RD., Futian, Shenzhen, China



5

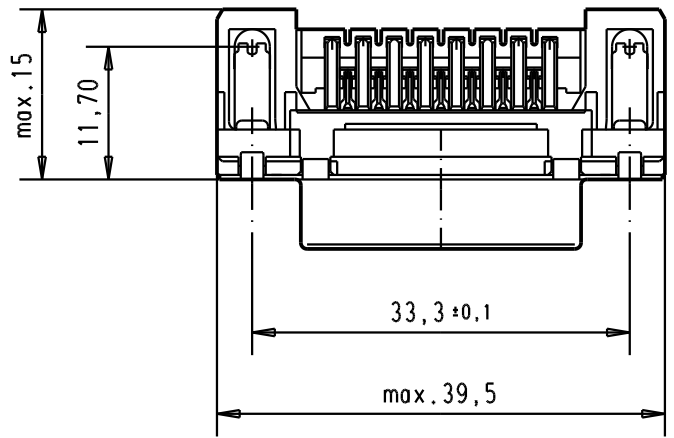
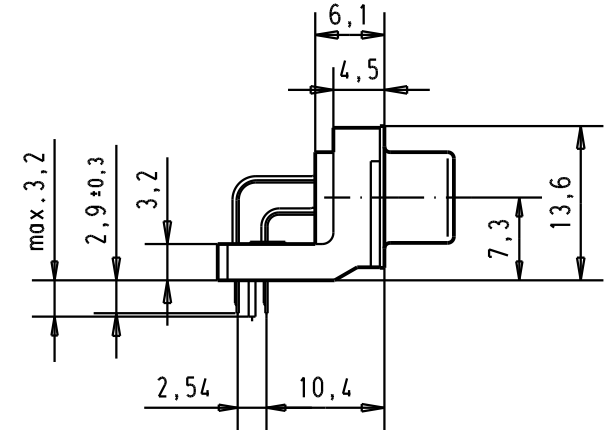
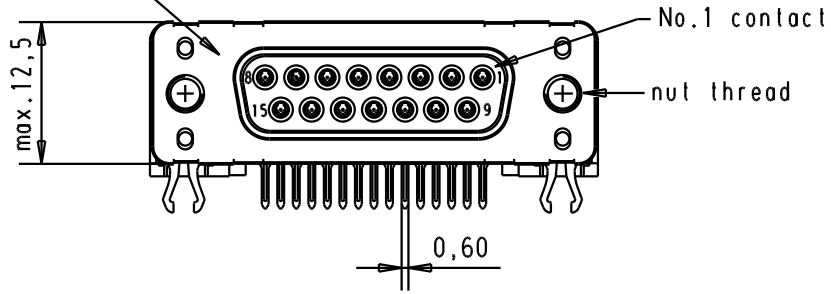
4

3

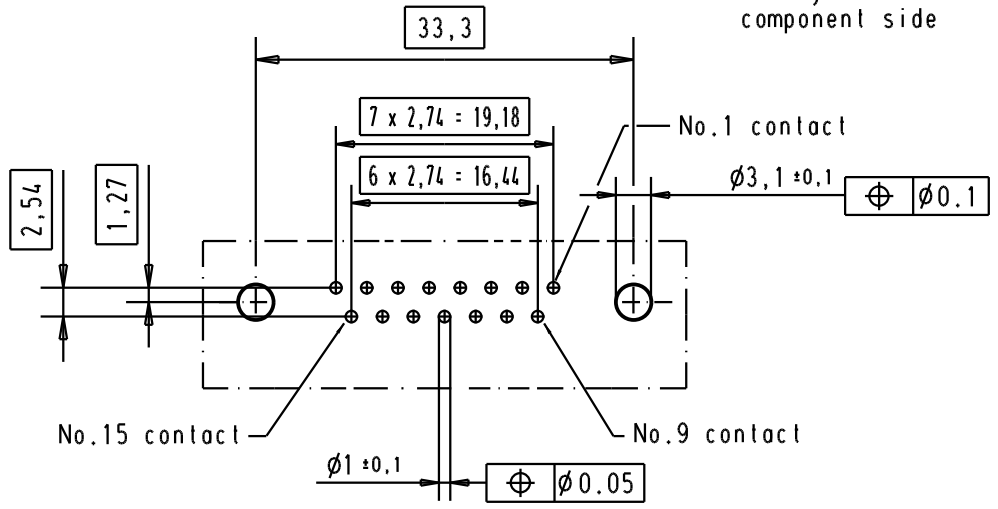
2

1

Mating face according to : MIL-C-24308 / DIN 41652 / CECC 75301-802

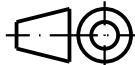



PCB layout hole component side



Connector retention and insertion forces on the PCB = 25 / 80 newtons

A

09 66 252 3611	M 3	1								 All Dim. in mm Orig. Size DIN A 4	D-Sub 15 poles standard angle female, solder pin with nut and grounding board lock.	Maßstab/ Scale 1.5:1
09 66 252 6611	M 3	2				Detail.	05/dec/00	ALSPACE				
09 66 252 7611	M 3	3				Insp.						
09 66 252 3612	4-40 UNC	1	31892	05/05/04	JH	Stand.					TB 0966252x61x	Blatt/ Page 5 / 5
09 66 252 6612	4-40 UNC	2	31084	04/SEP/02	YT	HARTING EURL F-95972 Paris						
09 66 252 7612	4-40 UNC	3	27960	05/dec/00	ALSPACE							
Part number	Nut thread	Performance level	Mod.	Dat.	Name				Sub.			