



Chipsmall Limited consists of a professional team with an average of over 10 year of expertise in the distribution of electronic components. Based in Hongkong, we have already established firm and mutual-benefit business relationships with customers from,Europe,America and south Asia,supplying obsolete and hard-to-find components to meet their specific needs.

With the principle of "Quality Parts,Customers Priority,Honest Operation,and Considerate Service",our business mainly focus on the distribution of electronic components. Line cards we deal with include Microchip,ALPS,ROHM,Xilinx,Pulse,ON,Everlight and Freescale. Main products comprise IC,Modules,Potentiometer,IC Socket,Relay,Connector.Our parts cover such applications as commercial,industrial, and automotives areas.

We are looking forward to setting up business relationship with you and hope to provide you with the best service and solution. Let us make a better world for our industry!



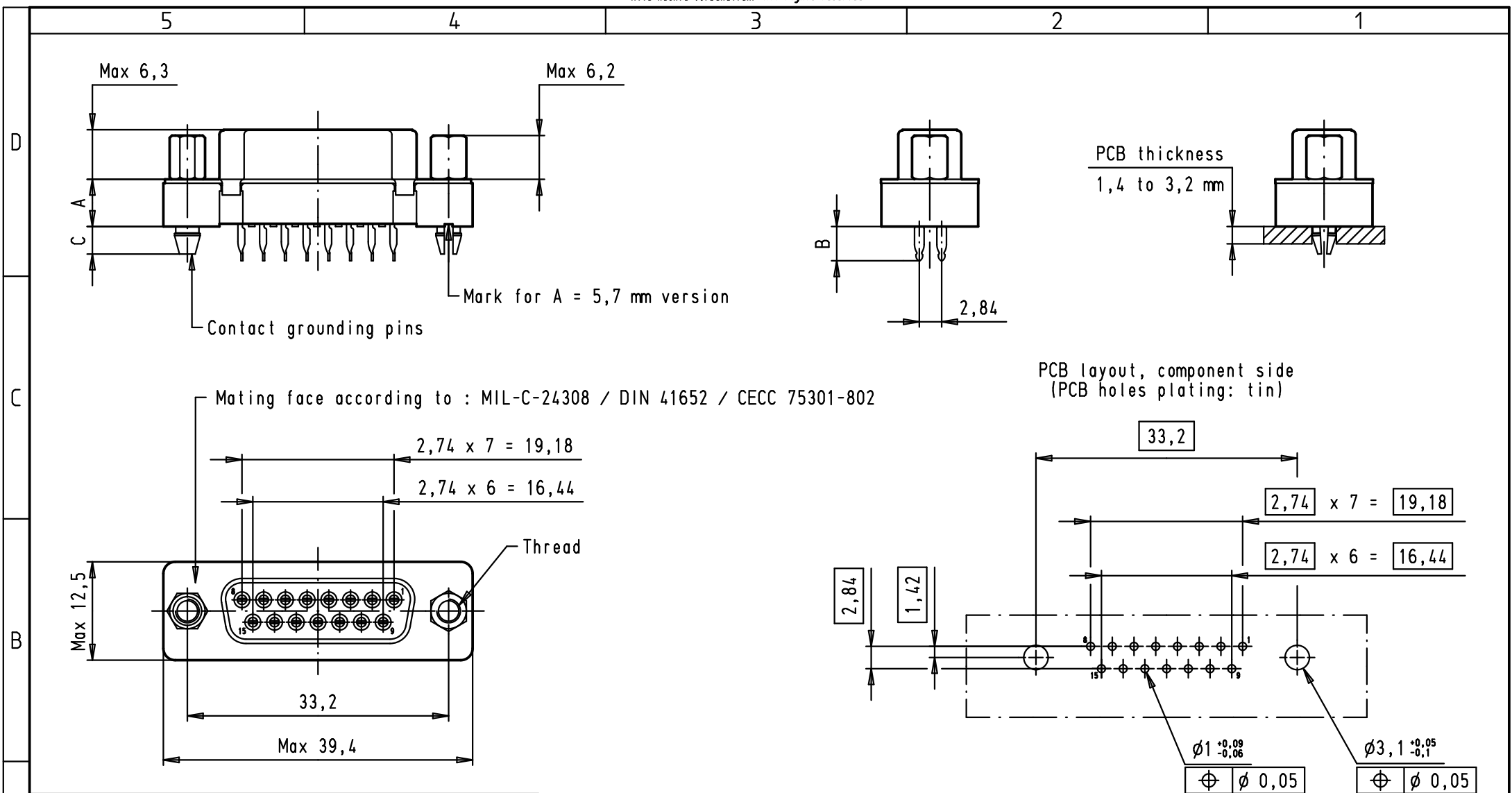
Contact us

Tel: +86-755-8981 8866 Fax: +86-755-8427 6832

Email & Skype: info@chipsmall.com Web: www.chipsmall.com

Address: A1208, Overseas Decoration Building, #122 Zhenhua RD., Futian, Shenzhen, China





09 66 254 5533	0,76 μm Au	6	4,20	3,5	M3							
09 66 254 7513	3	6	4,20	3,5	4-40 UNC							
09 66 254 6513	2	6	4,20	3,5	4-40 UNC	EC01000	27/11/09	PK	Detail.	14/02/00	JFB	
09 66 254 5513	0,76 μm Au	6	4,20	3,5	4-40 UNC	32813	08/01/07	PK	Insp.			
09 66 254 7517	3	5,7	4,35	3,9	4-40 UNC	31079	29/08/02	CV	Stand.			
09 66 254 6517	2	5,7	4,35	3,9	4-40 UNC	27980	05/03/01	JFB				
09 66 254 5517	0,76 μm Au	5,7	4,35	3,9	4-40 UNC	26574	14/02/00	JFB				
Part number	Performance level	A $\pm 0,2$	B $\pm 0,2$	Max C	Thread	Mod.	Dot.	Name				

HARTING EURL
F-95972 Paris



D-Sub, female, straight, 15 poles,
with press-in termination,
version contact grounding pins
and screw locks

TB 09 66 254 X5XX

Sub.

Maßstab/
Scale
1,5:1

Blatt/ Page
3 / 3