



Chipsmall Limited consists of a professional team with an average of over 10 year of expertise in the distribution of electronic components. Based in Hongkong, we have already established firm and mutual-benefit business relationships with customers from,Europe,America and south Asia,supplying obsolete and hard-to-find components to meet their specific needs.

With the principle of "Quality Parts,Customers Priority,Honest Operation,and Considerate Service",our business mainly focus on the distribution of electronic components. Line cards we deal with include Microchip,ALPS,ROHM,Xilinx,Pulse,ON,Everlight and Freescale. Main products comprise IC,Modules,Potentiometer,IC Socket,Relay,Connector.Our parts cover such applications as commercial,industrial, and automotives areas.

We are looking forward to setting up business relationship with you and hope to provide you with the best service and solution. Let us make a better world for our industry!



## Contact us

Tel: +86-755-8981 8866 Fax: +86-755-8427 6832

Email & Skype: info@chipsmall.com Web: www.chipsmall.com

Address: A1208, Overseas Decoration Building, #122 Zhenhua RD., Futian, Shenzhen, China



5

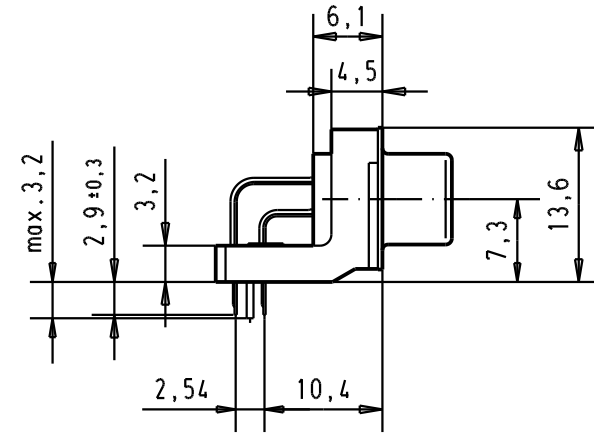
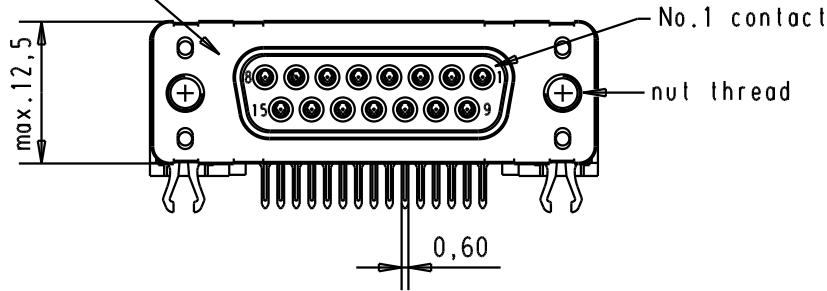
4

3

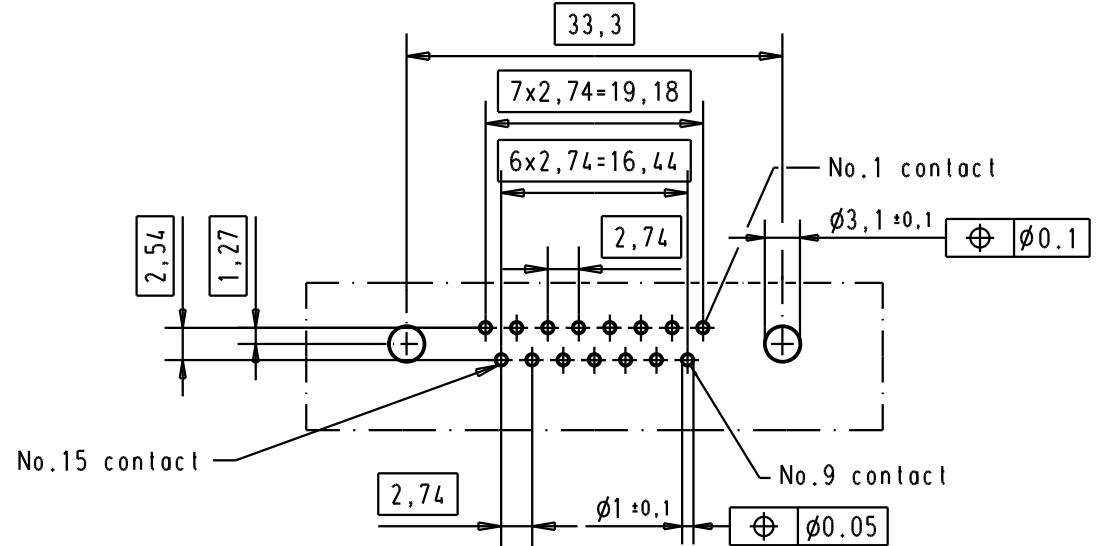
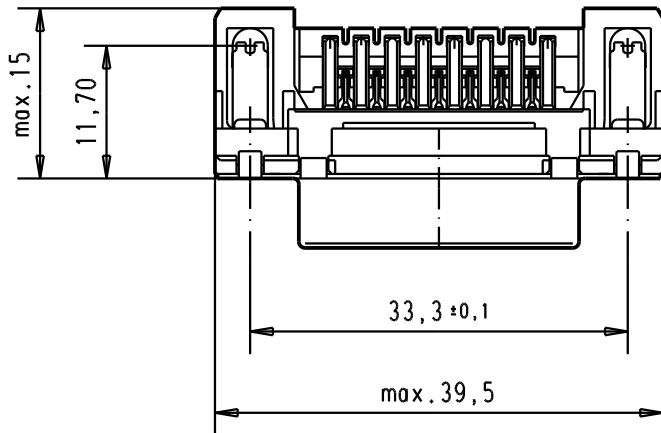
2

1

Mating face according to : MIL-C-24308 / DIN 41652 / CECC 75301-802



Printed board layout component side



Connector retention and insertion forces on the PCB = 25 / 80 newtons

A

09 66 256 3611	M 3	1								<p>All Dim. in mm Orig. Size DIN A 4</p>	D-Sub, high temperature, female, standard, 15 poles, with solder pins 2,9 mm, nuts and grounding board lock.	Maßstab/ Scale 1.5:1
09 66 256 6611	M 3	2				Detail.	05/03/02	CV				
09 66 256 7611	M 3	3				Insp.						
09 66 256 3612	4-40 UNC	1				Stand.						
09 66 256 6612	4-40 UNC	2	31892	05/05/04	JH	HARTING EURL F-95972 Paris				TB 0966256x61x	Blatt/ Page 5	
09 66 256 7612	4-40 UNC	3	29723	05/03/02	CV							
Part number	Nut thread	Performance level	Mod.	Dat.	Name					Sub.		