



Chipsmall Limited consists of a professional team with an average of over 10 year of expertise in the distribution of electronic components. Based in Hongkong, we have already established firm and mutual-benefit business relationships with customers from,Europe,America and south Asia,supplying obsolete and hard-to-find components to meet their specific needs.

With the principle of “Quality Parts,Customers Priority,Honest Operation,and Considerate Service”,our business mainly focus on the distribution of electronic components. Line cards we deal with include Microchip,ALPS,ROHM,Xilinx,Pulse,ON,Everlight and Freescale. Main products comprise IC,Modules,Potentiometer,IC Socket,Relay,Connector.Our parts cover such applications as commercial,industrial, and automotives areas.

We are looking forward to setting up business relationship with you and hope to provide you with the best service and solution. Let us make a better world for our industry!



Contact us

Tel: +86-755-8981 8866 Fax: +86-755-8427 6832

Email & Skype: info@chipsmall.com Web: www.chipsmall.com

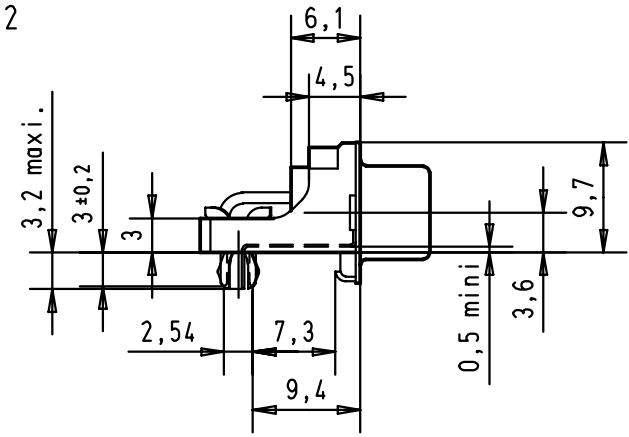
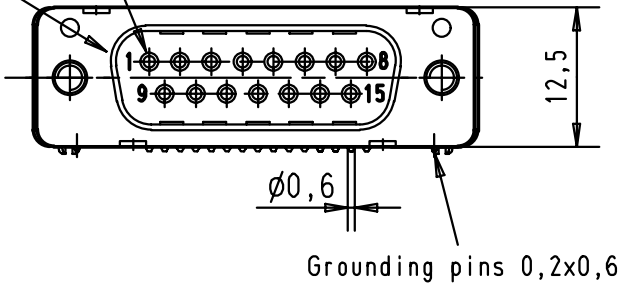
Address: A1208, Overseas Decoration Building, #122 Zhenhua RD., Futian, Shenzhen, China



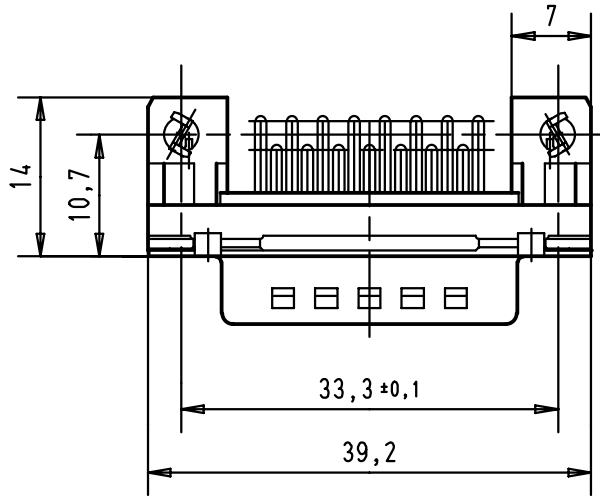
5 4 3 2 1

Mating face according to MIL-C-24308 / DIN 41 652 / CECC 75301-802

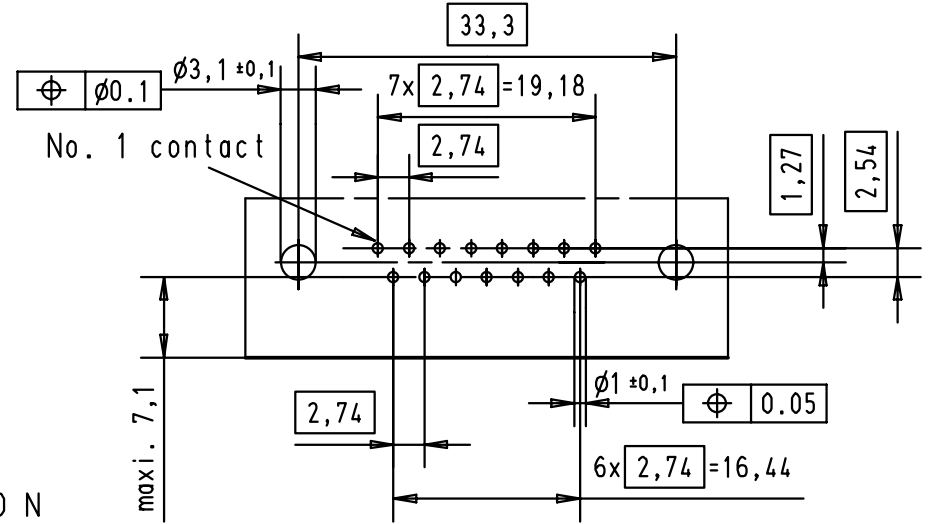
No. 1 contact



Printed board layout (1,6±0,2 thick)
View component side
(PCB plating = Tin)



Mounting force on Printed board : 25 - 80 N





D

C

B

A

| | | | | | | | | | | | |
|----------------|------------|-------------------|-------|-----------|------|-------------------------------|-----------|----|---|--|--------------------------------|
| 09 66 262 6815 | M3 | 2 | | | | | | |  All Dim. in mm Orig. Size DIN A 4 | D-Sub male low profile 15 poles with solder pins, nuts, board lock and grounding pins | Maßstab/ Scale 1,5:1 |
| 09 66 262 7815 | M3 | 3 | | | | Detail. | 23-NOV-01 | JB | | | |
| 09 66 262 5815 | M3 | 0,76 µm Au | | | | Insp. | | | | | |
| 09 66 262 6816 | 4-40 UNC | 2 | | | | Stand. | | | | | |
| 09 66 262 7816 | 4-40 UNC | 3 | | | | HARTING EURL F-95972 Paris | | |  | TB 09 66 262 X81x | Blatt/ Page 4 |
| 09 66 262 5816 | 4-40 UNC | 0,76 µm Au | 29733 | 23-NOV-01 | JB | Sub. | | | | | |
| Part number | nut thread | Performance level | Mod. | Dat. | Name | | | | | | |