



Chipsmall Limited consists of a professional team with an average of over 10 year of expertise in the distribution of electronic components. Based in Hongkong, we have already established firm and mutual-benefit business relationships with customers from,Europe,America and south Asia,supplying obsolete and hard-to-find components to meet their specific needs.

With the principle of “Quality Parts,Customers Priority,Honest Operation,and Considerate Service”,our business mainly focus on the distribution of electronic components. Line cards we deal with include Microchip,ALPS,ROHM,Xilinx,Pulse,ON,Everlight and Freescale. Main products comprise IC,Modules,Potentiometer,IC Socket,Relay,Connector.Our parts cover such applications as commercial,industrial, and automotives areas.

We are looking forward to setting up business relationship with you and hope to provide you with the best service and solution. Let us make a better world for our industry!



## Contact us

Tel: +86-755-8981 8866 Fax: +86-755-8427 6832

Email & Skype: [info@chipsmall.com](mailto:info@chipsmall.com) Web: [www.chipsmall.com](http://www.chipsmall.com)

Address: A1208, Overseas Decoration Building, #122 Zhenhua RD., Futian, Shenzhen, China



5

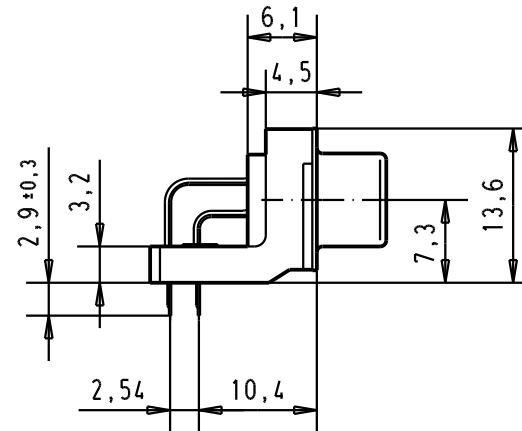
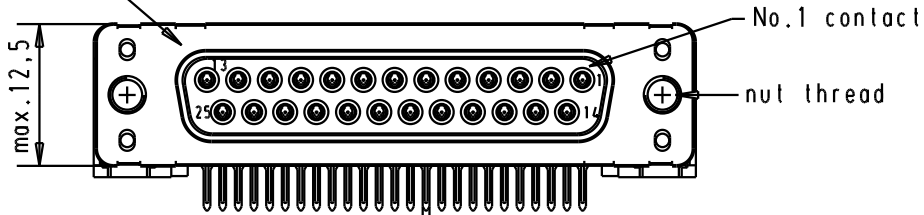
4

3

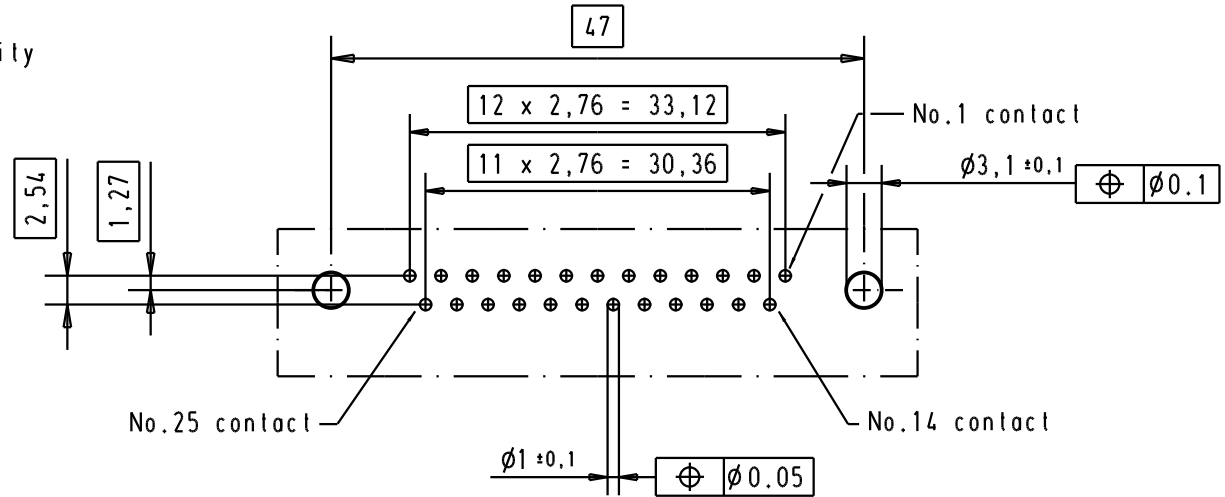
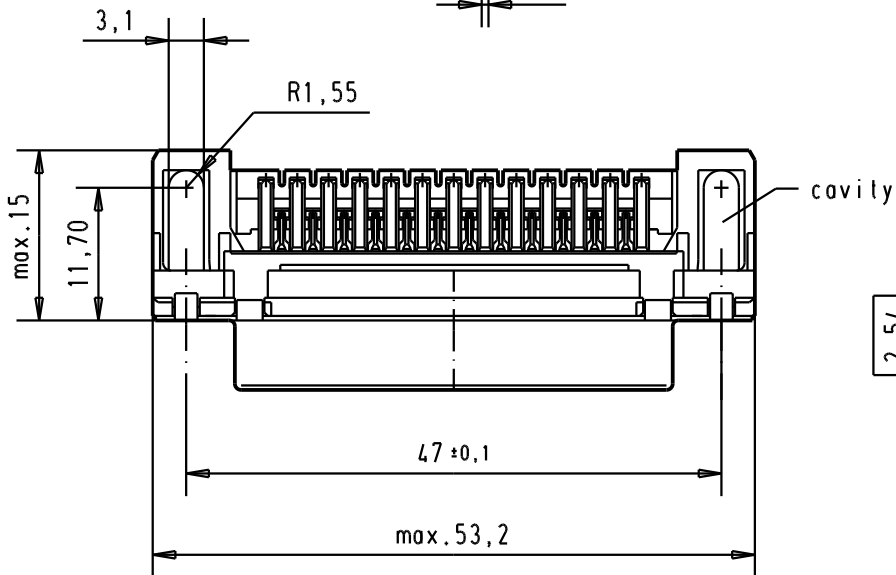
2

1

Mating face according to : MIL-C-24308 / DIN 41652 / CECC 75301-802



Printed board layout component side



09 66 312 3601

M 3

1

09 66 312 6601

M 3

2

09 66 312 7601

M 3

3

09 66 312 3602

4-40 UNC

1

31892

05/05/04

JH

09 66 312 6602

4-40 UNC

2

29773

18-APR-02 CV

09 66 312 7602

4-40 UNC

3

27960

28/nov/00 ALSPLACE

Part number

Nut thread

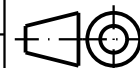
Performance level

Mod.

Dat.

Name

HARTING EURL  
F-95972 Paris



All Dim. in mm  
Orig. Size DIN A 4



D-Sub 25 poles standard angle female, solder pin with nut and hole

TB 0966312x60x

Sub.

Moßstab/  
Scale

1.5:1

Blatt/ Page

2

D

C

B

A