



Chipsmall Limited consists of a professional team with an average of over 10 year of expertise in the distribution of electronic components. Based in Hongkong, we have already established firm and mutual-benefit business relationships with customers from,Europe,America and south Asia,supplying obsolete and hard-to-find components to meet their specific needs.

With the principle of “Quality Parts,Customers Priority,Honest Operation,and Considerate Service”,our business mainly focus on the distribution of electronic components. Line cards we deal with include Microchip,ALPS,ROHM,Xilinx,Pulse,ON,Everlight and Freescale. Main products comprise IC,Modules,Potentiometer,IC Socket,Relay,Connector.Our parts cover such applications as commercial,industrial, and automotives areas.

We are looking forward to setting up business relationship with you and hope to provide you with the best service and solution. Let us make a better world for our industry!



## Contact us

Tel: +86-755-8981 8866 Fax: +86-755-8427 6832

Email & Skype: info@chipsmall.com Web: www.chipsmall.com

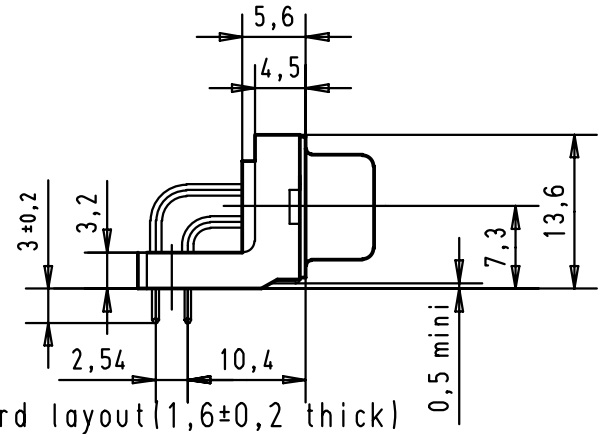
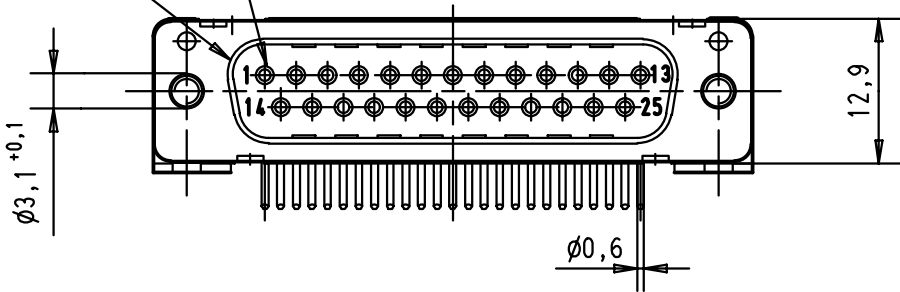
Address: A1208, Overseas Decoration Building, #122 Zhenhua RD., Futian, Shenzhen, China



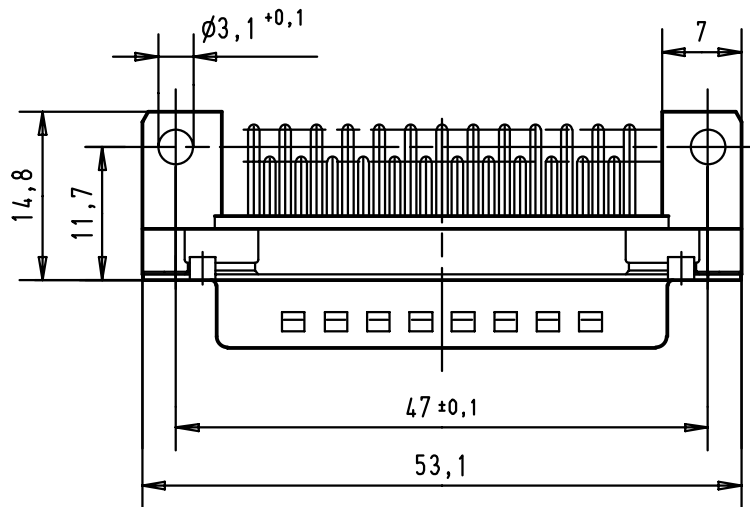
5 4 3 2 1

Mating face according to MIL-C-24308 / DIN 41 652 / CECC 75301-802

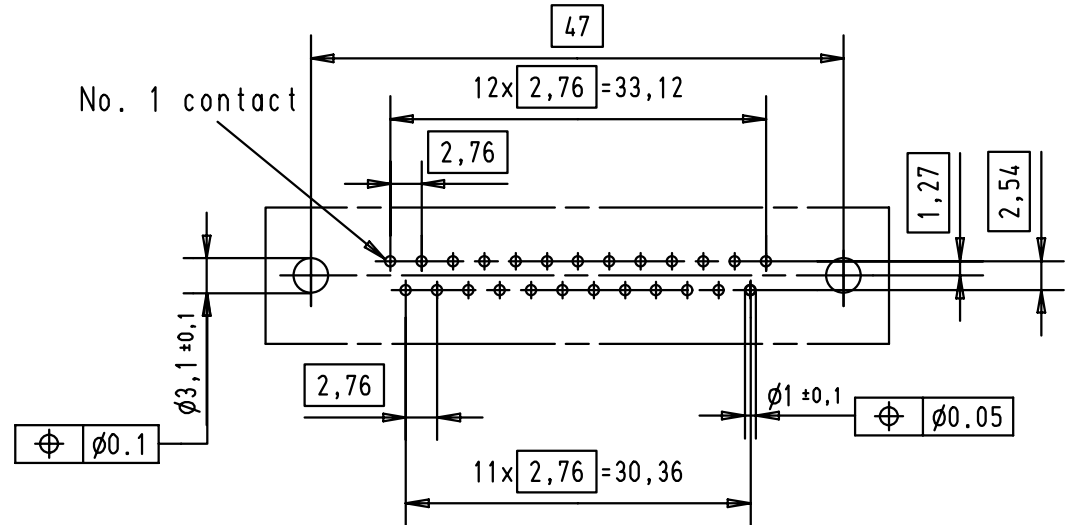
No. 1 contact



Printed board layout (1,6±0,2 thick)  
View component side  
(PCB plating = Tin)



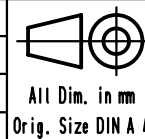
No. 1 contact



A

09 66 322 6801	M3	2			
09 66 322 7801	M3	3			
09 66 322 5801	M3	0,76 µm Au			
09 66 322 6802	4-40 UNC	2			
09 66 322 7802	4-40 UNC	3			
09 66 322 5802	4-40 UNC	0,76 µm Au	29733	23-NOV-01	JB
Part number	nut thread	Performance level	Mod.	Dat.	Name

	Dat.	Name
Detail.	23-NOV-01	JB
Insp.		
Stand.		
HARTING EURL F-95972 Paris		



All Dim. in mm  
Orig. Size DIN A 4

D-Sub male standard 25 poles with solder pins and nuts	Maßstab/ Scale
	1,5:1
TB 09 66 322 X80X	Blatt/ Page
	1
Sub.	