



Chipsmall Limited consists of a professional team with an average of over 10 year of expertise in the distribution of electronic components. Based in Hongkong, we have already established firm and mutual-benefit business relationships with customers from,Europe,America and south Asia,supplying obsolete and hard-to-find components to meet their specific needs.

With the principle of “Quality Parts,Customers Priority,Honest Operation,and Considerate Service”,our business mainly focus on the distribution of electronic components. Line cards we deal with include Microchip,ALPS,ROHM,Xilinx,Pulse,ON,Everlight and Freescale. Main products comprise IC,Modules,Potentiometer,IC Socket,Relay,Connector.Our parts cover such applications as commercial,industrial, and automotives areas.

We are looking forward to setting up business relationship with you and hope to provide you with the best service and solution. Let us make a better world for our industry!



Contact us

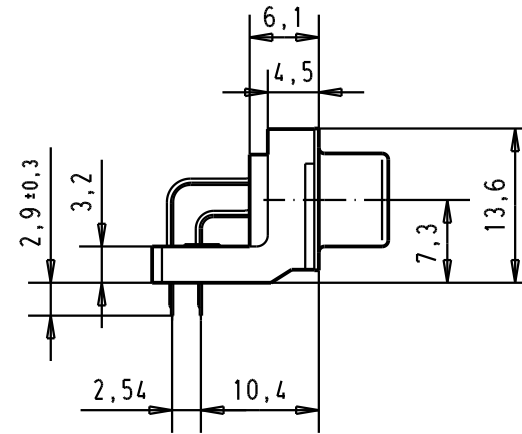
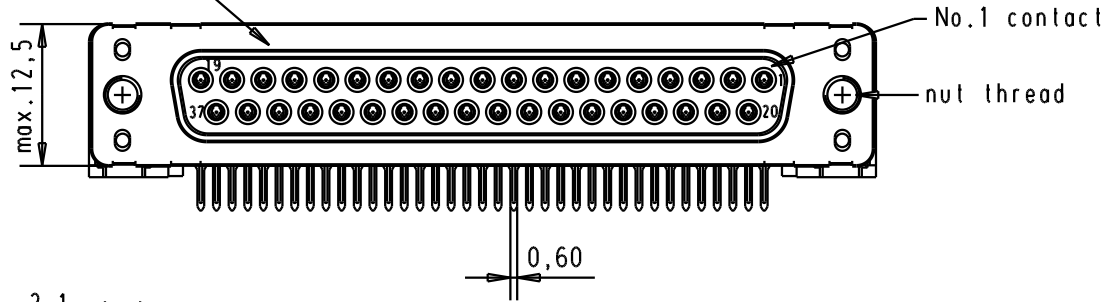
Tel: +86-755-8981 8866 Fax: +86-755-8427 6832

Email & Skype: info@chipsmall.com Web: www.chipsmall.com

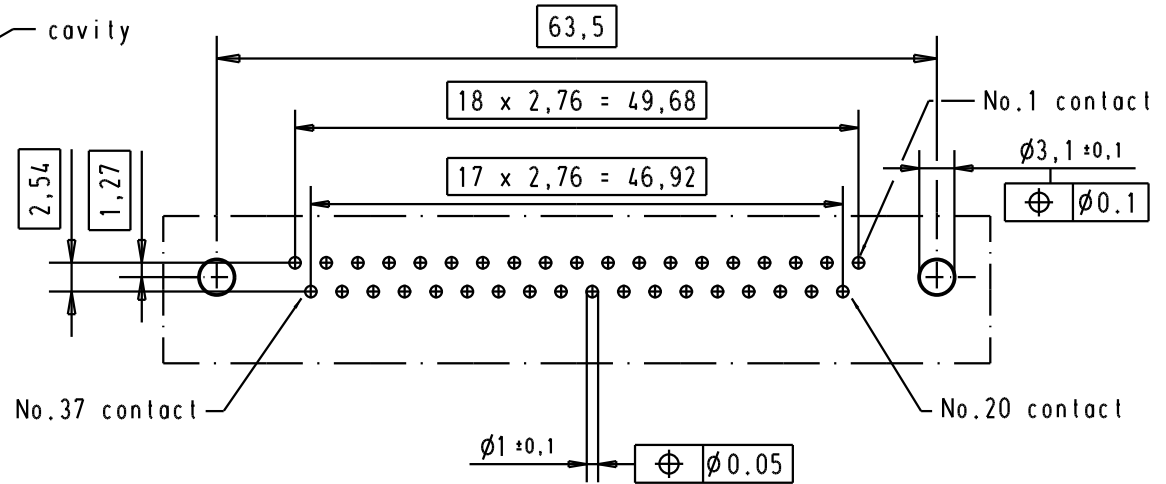
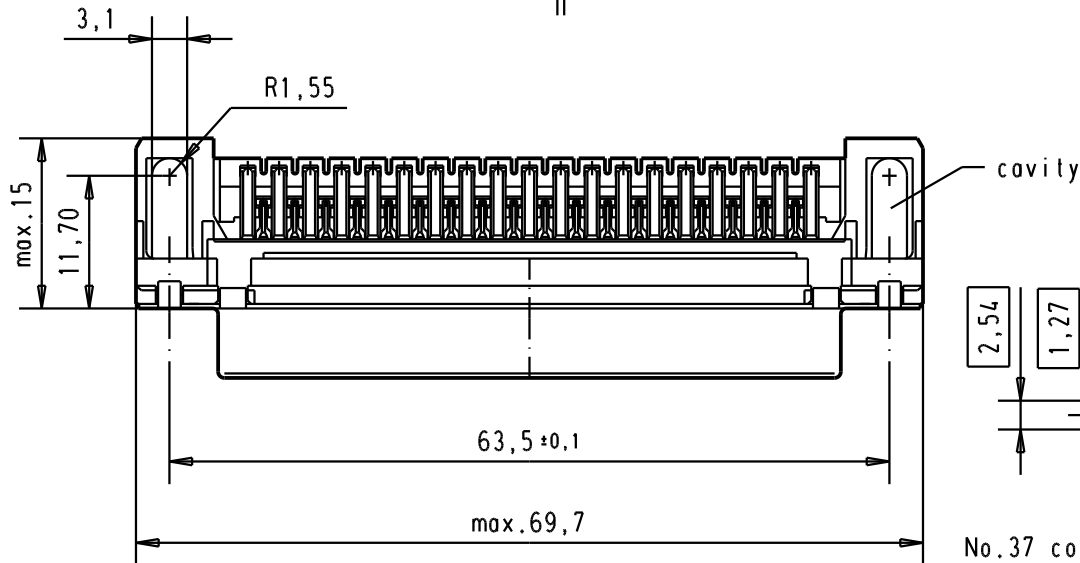
Address: A1208, Overseas Decoration Building, #122 Zhenhua RD., Futian, Shenzhen, China





Mating face according to : MIL-C-24308 / DIN 41652 / CECC 75301-802



PCB layout hole component side



A

Part number	Nut thread	Performance level	Mod.	Dat.	Name	Dat.	Name	 All Dim. in mm Orig. Size DIN A 4		D-Sub 37 poles standard angle female, solder pin with nut and hole Maßstab/Scale 1.5:1	Blatt/ Page 2
09 66 412 3601	M 3	1									
09 66 412 6601	M 3	2				Detail.	29/nov/00	ALSPACE			
09 66 412 7601	M 3	3				Insp.					
09 66 412 3602	4-40 UNC	1	31892	05/05/04	JH	Stand.					
09 66 412 6602	4-40 UNC	2	29773	18-APR-02	CV	HARTING EURL F-95972 Paris			TB 0966412x60x	Sub.	
09 66 412 7602	4-40 UNC	3	27960	29/nov/00	ALSPACE						