



Chipsmall Limited consists of a professional team with an average of over 10 year of expertise in the distribution of electronic components. Based in Hongkong, we have already established firm and mutual-benefit business relationships with customers from,Europe,America and south Asia,supplying obsolete and hard-to-find components to meet their specific needs.

With the principle of “Quality Parts,Customers Priority,Honest Operation,and Considerate Service”,our business mainly focus on the distribution of electronic components. Line cards we deal with include Microchip,ALPS,ROHM,Xilinx,Pulse,ON,Everlight and Freescale. Main products comprise IC,Modules,Potentiometer,IC Socket,Relay,Connector.Our parts cover such applications as commercial,industrial, and automotives areas.

We are looking forward to setting up business relationship with you and hope to provide you with the best service and solution. Let us make a better world for our industry!



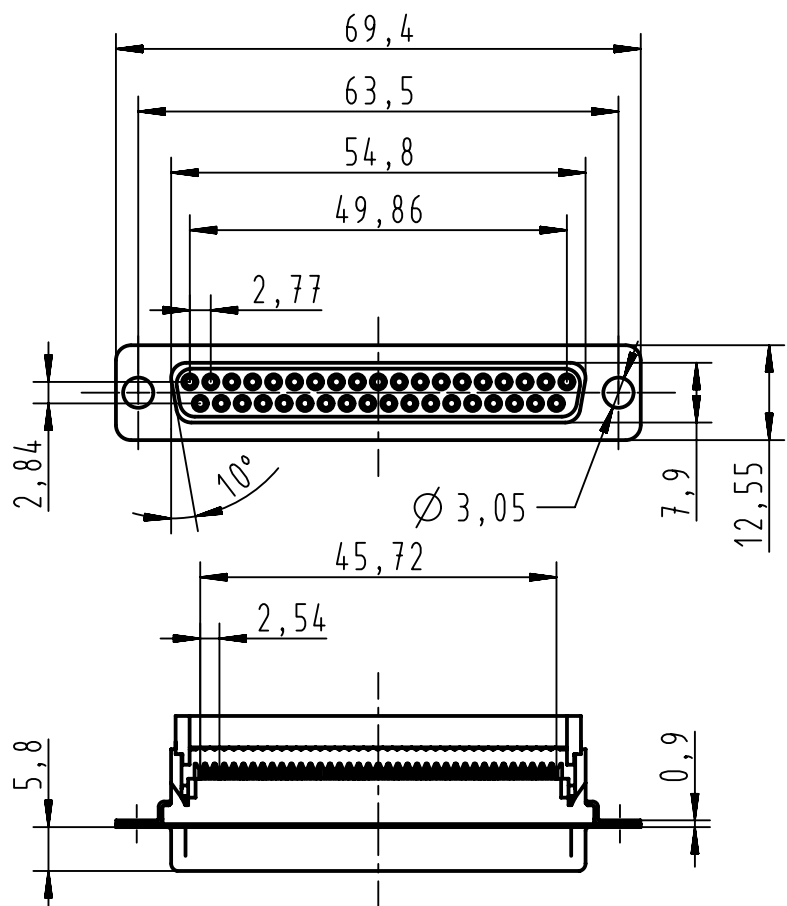
Contact us

Tel: +86-755-8981 8866 Fax: +86-755-8427 6832

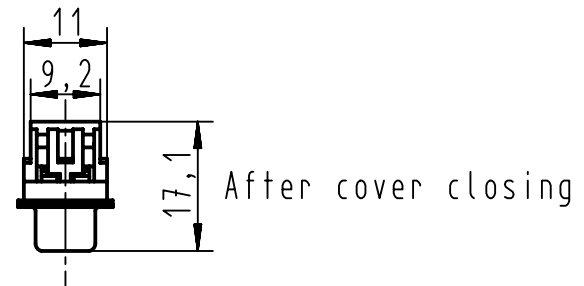
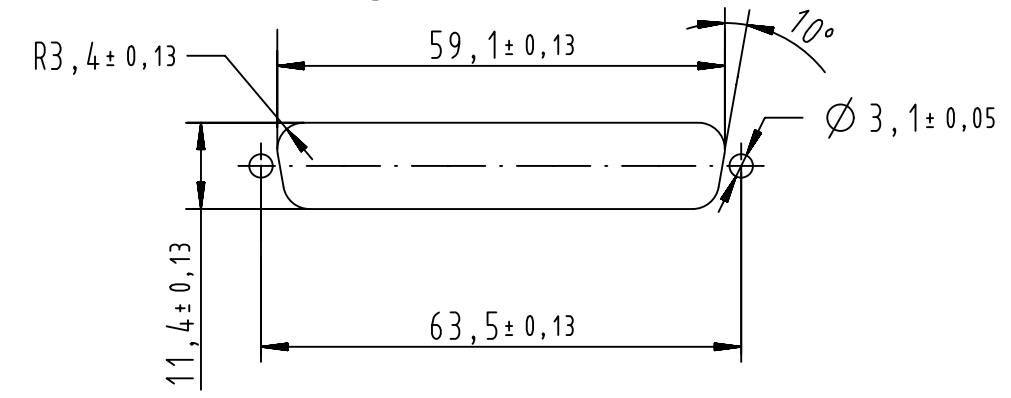
Email & Skype: info@chipsmall.com Web: www.chipsmall.com

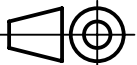

Address: A1208, Overseas Decoration Building, #122 Zhenhua RD., Futian, Shenzhen, China





Recommended panel cutout dimensions
for rear mounting
According to CECC 75 301-802



		 All Dimensions in mm Original Size DIN A4		Scale 1:1	Free size tol.		Ref.		
		 All rights reserved Department EC PD - FR		Created by DOUGE	Inspected by BAGDIKIAN	Standardisation HOFFMANN	Date 2013-04-23	State Final Release	
09664187500		PL3		Title D-Sub IDC 37P female straight				Doc-Key / ECM-Nr. 100527241/UGD/001/A 5300000858839	
09664186500		PL2		Type TB				Rev. A	
Part number		Performance level		Number 0966418X500				Page 1/1	
		HARTING Electronics GmbH D-32339 Espelkamp							