



Chipsmall Limited consists of a professional team with an average of over 10 year of expertise in the distribution of electronic components. Based in Hongkong, we have already established firm and mutual-benefit business relationships with customers from,Europe,America and south Asia,supplying obsolete and hard-to-find components to meet their specific needs.

With the principle of “Quality Parts,Customers Priority,Honest Operation,and Considerate Service”,our business mainly focus on the distribution of electronic components. Line cards we deal with include Microchip,ALPS,ROHM,Xilinx,Pulse,ON,Everlight and Freescale. Main products comprise IC,Modules,Potentiometer,IC Socket,Relay,Connector.Our parts cover such applications as commercial,industrial, and automotives areas.

We are looking forward to setting up business relationship with you and hope to provide you with the best service and solution. Let us make a better world for our industry!



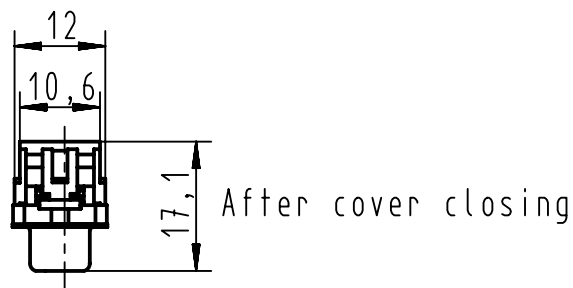
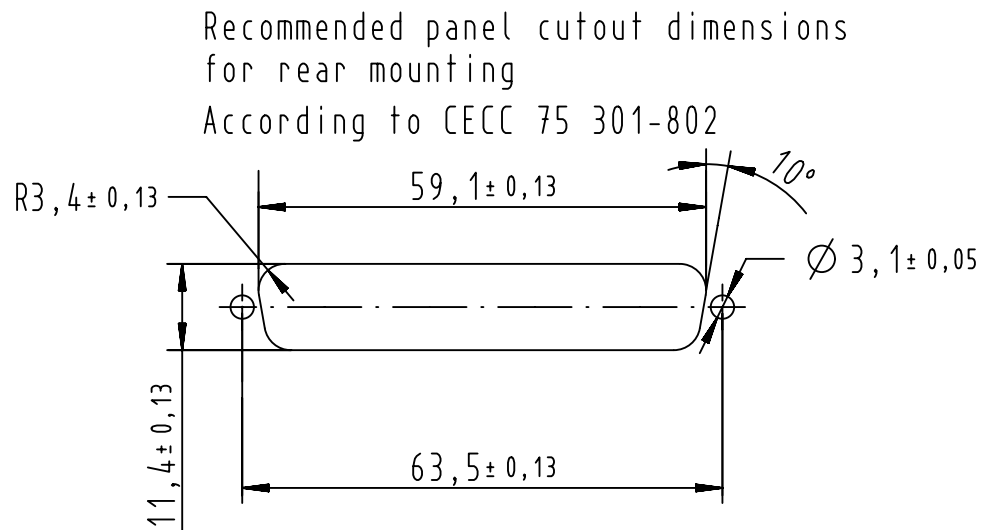
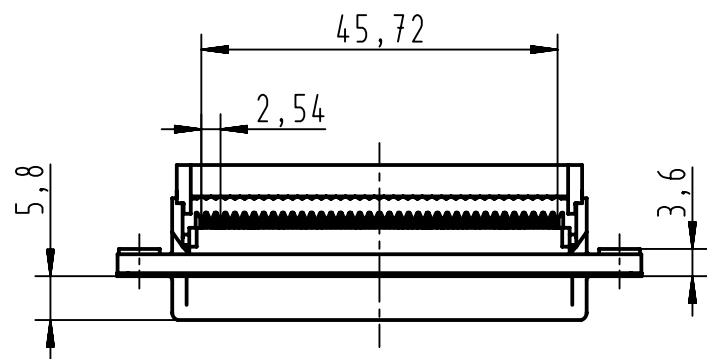
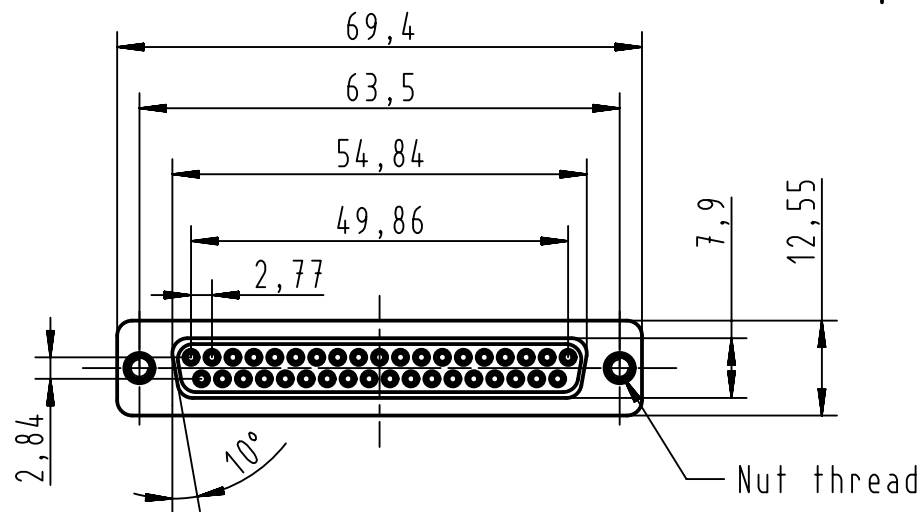
Contact us

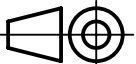

Tel: +86-755-8981 8866 Fax: +86-755-8427 6832

Email & Skype: info@chipsmall.com Web: www.chipsmall.com

Address: A1208, Overseas Decoration Building, #122 Zhenhua RD., Futian, Shenzhen, China





09664187502	PL3	4-40UNC	 All Dimensions in mm Original Size DIN A4	Scale 1:1	Free size tol.		Ref.	
09664186502	PL2	4-40UNC		 All rights reserved Department EC PD - FR	Created by DOUGE	Inspected by BAGDIKIAN	Standardisation HOFFMANN	Date 2013-04-23
09664187501	PL3	M3	HARTING Electronics GmbH D-32339 Espelkamp		Title D-Sub IDC 37P female straight			Doc-Key / ECM-Nr. 100527245/UGD/001/A 5300000858839
09664186501	PL2	M3		Type TB	Number 0966418X50X		Rev. A	Page 1/1
Part number	Performance level	Nut thread						