



Chipsmall Limited consists of a professional team with an average of over 10 year of expertise in the distribution of electronic components. Based in Hongkong, we have already established firm and mutual-benefit business relationships with customers from,Europe,America and south Asia,supplying obsolete and hard-to-find components to meet their specific needs.

With the principle of “Quality Parts,Customers Priority,Honest Operation,and Considerate Service”,our business mainly focus on the distribution of electronic components. Line cards we deal with include Microchip,ALPS,ROHM,Xilinx,Pulse,ON,Everlight and Freescale. Main products comprise IC,Modules,Potentiometer,IC Socket,Relay,Connector.Our parts cover such applications as commercial,industrial, and automotives areas.

We are looking forward to setting up business relationship with you and hope to provide you with the best service and solution. Let us make a better world for our industry!



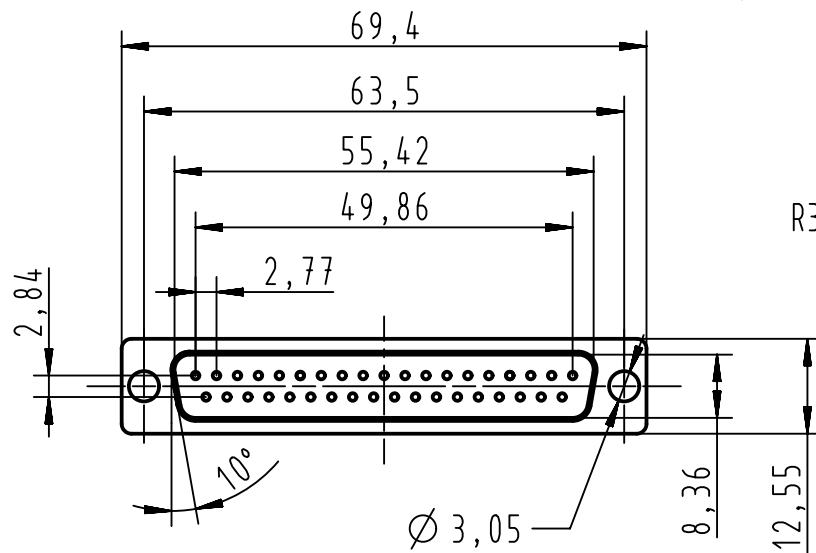
## Contact us

Tel: +86-755-8981 8866 Fax: +86-755-8427 6832

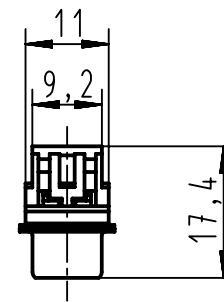
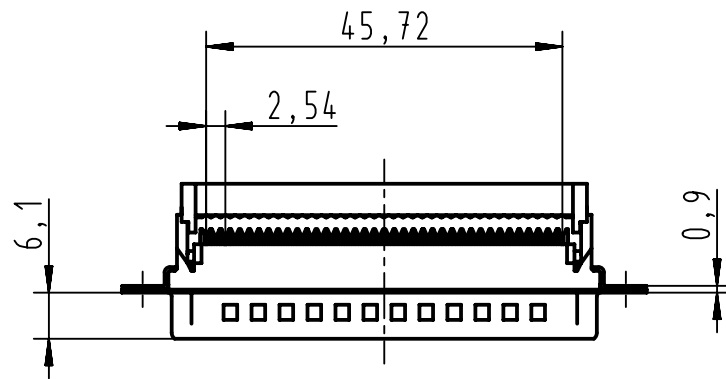
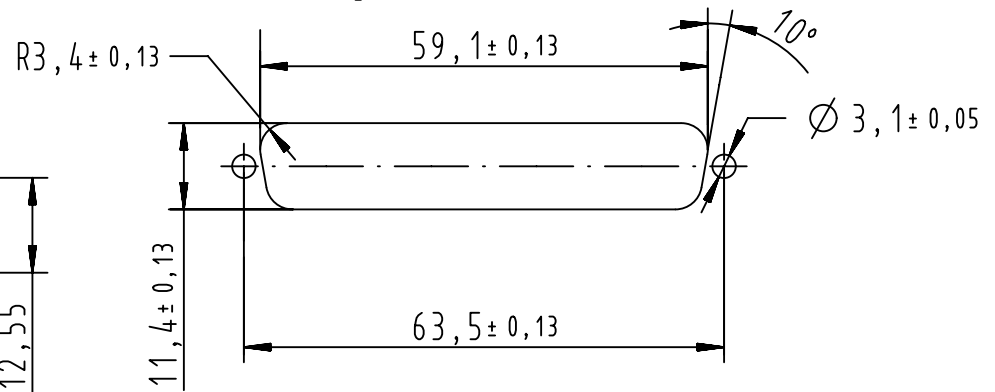
Email & Skype: info@chipsmall.com Web: www.chipsmall.com

Address: A1208, Overseas Decoration Building, #122 Zhenhua RD., Futian, Shenzhen, China





Recommended panel cutout dimensions  
for rear mounting  
According to CECC 75 301-802



After cover closing



All Dimensions in mm  
Original Size DIN A4

Scale  
1:1

Free size tol.

Ref.

Sub.

09664287700

PL3



All rights reserved  
Department EC PD - FR

Created by  
DOUGE

Inspected by  
BAGDIKIAN

Standardisation  
HOFFMANN

Date  
2013-04-23

State  
Final Release

09664286700

PL2

Title  
D-Sub IDC 37P male straight

Doc-Key / ECM-Nr.  
100527232/UGD/001/A  
5300000858839

Part number

Performance level

HARTING Electronics GmbH  
D-32339 Espelkamp

Type  
TB

Number  
0966428X700

Rev.  
A

Page  
1/1