



Chipsmall Limited consists of a professional team with an average of over 10 year of expertise in the distribution of electronic components. Based in Hongkong, we have already established firm and mutual-benefit business relationships with customers from,Europe,America and south Asia,supplying obsolete and hard-to-find components to meet their specific needs.

With the principle of “Quality Parts,Customers Priority,Honest Operation,and Considerate Service”,our business mainly focus on the distribution of electronic components. Line cards we deal with include Microchip,ALPS,ROHM,Xilinx,Pulse,ON,Everlight and Freescale. Main products comprise IC,Modules,Potentiometer,IC Socket,Relay,Connector.Our parts cover such applications as commercial,industrial, and automotives areas.

We are looking forward to setting up business relationship with you and hope to provide you with the best service and solution. Let us make a better world for our industry!



## Contact us

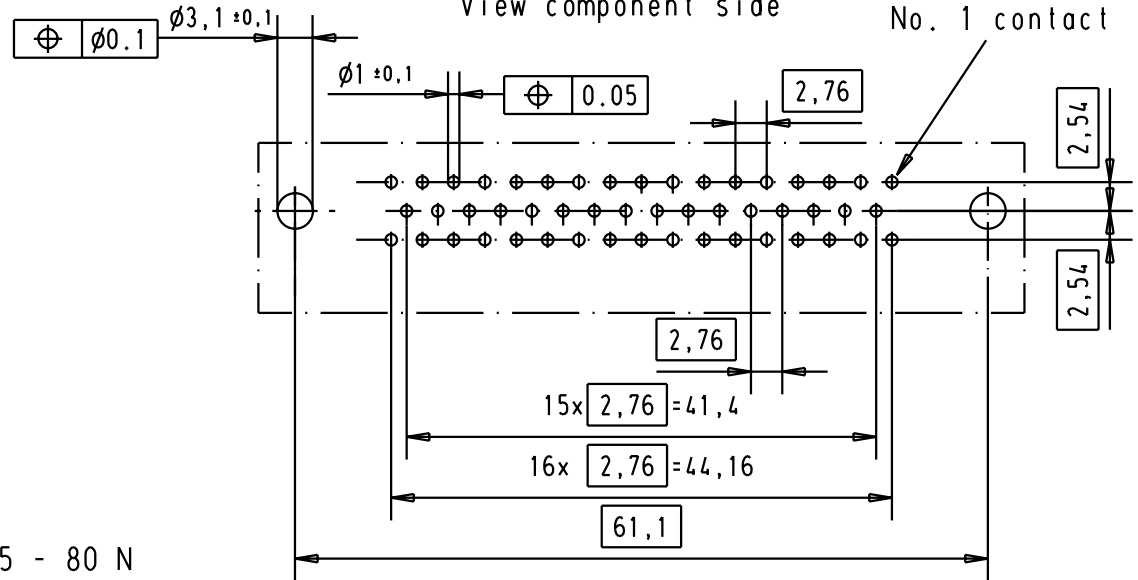
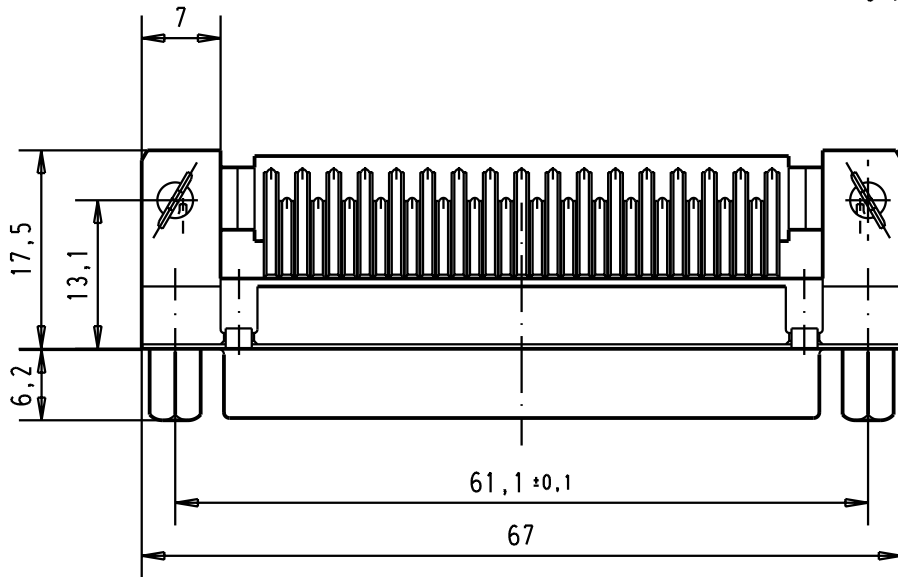
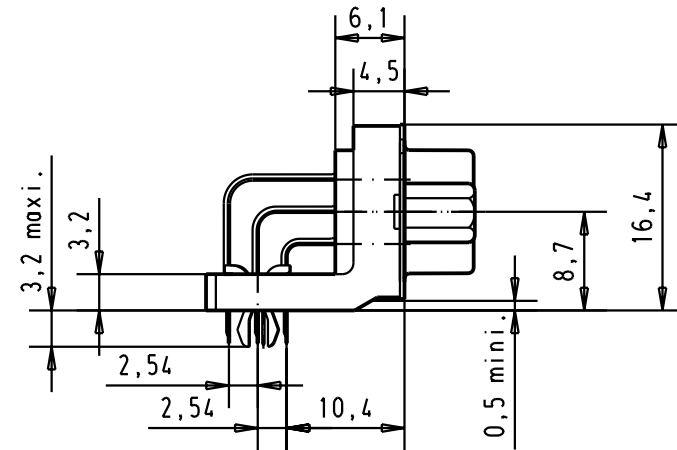
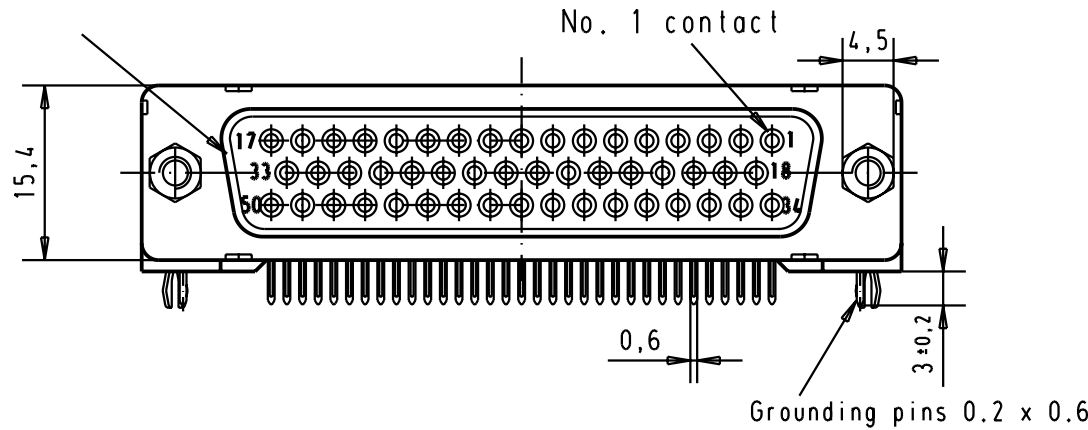
Tel: +86-755-8981 8866 Fax: +86-755-8427 6832

Email & Skype: info@chipsmall.com Web: www.chipsmall.com

Address: A1208, Overseas Decoration Building, #122 Zhenhua RD., Futian, Shenzhen, China



Mating face according to MIL-C-24308 / DIN 41 652 / CECC 75301-802



Mounting force on Printed board : 25 - 80 N

A	09 66 552 6633	M3	2							<p>All Dim. in mm Orig. Size DIN A 4</p>	D-Sub female angled 50 poles with solder pins, screw-lock, board lock and grounding pins	Maßstab/ Scale  1,5:1
	09 66 552 7633	M3	3									
	09 66 552 5633	M3	0,76 µm Au									
	09 66 552 6613	4-40 UNC	2									
	09 66 552 7613	4-40 UNC	3									
	09 66 552 5613	4-40 UNC	0,76 µm Au	31084	04/SEP/02	YT						
	Part number	screw-lock	Performance level	Mod.	Dat.	Name	HARTING EURL F-95972 Paris				TB 09 66 552 X6X3 Sub.	Blatt/ Page 1 /