



Chipsmall Limited consists of a professional team with an average of over 10 year of expertise in the distribution of electronic components. Based in Hongkong, we have already established firm and mutual-benefit business relationships with customers from,Europe,America and south Asia,supplying obsolete and hard-to-find components to meet their specific needs.

With the principle of “Quality Parts,Customers Priority,Honest Operation,and Considerate Service”,our business mainly focus on the distribution of electronic components. Line cards we deal with include Microchip,ALPS,ROHM,Xilinx,Pulse,ON,Everlight and Freescale. Main products comprise IC,Modules,Potentiometer,IC Socket,Relay,Connector.Our parts cover such applications as commercial,industrial, and automotives areas.

We are looking forward to setting up business relationship with you and hope to provide you with the best service and solution. Let us make a better world for our industry!



## Contact us

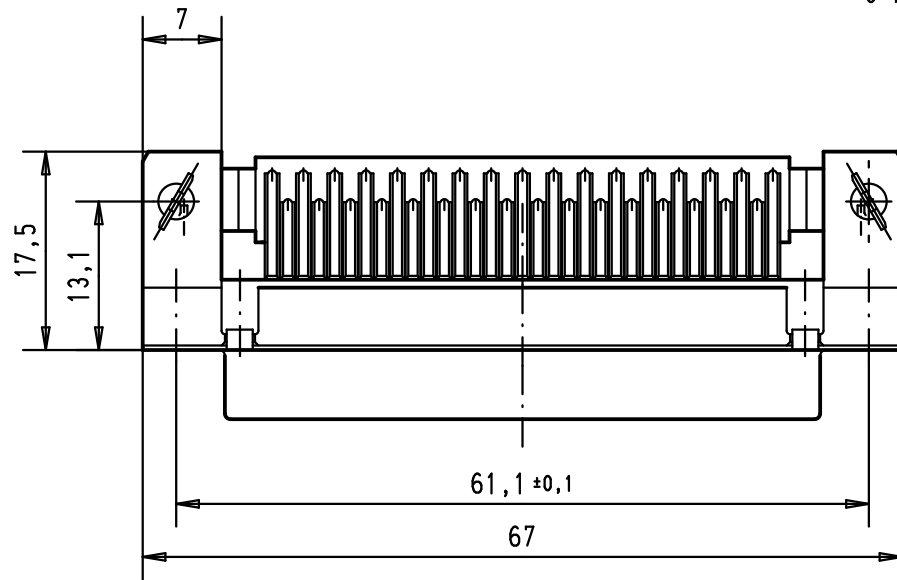
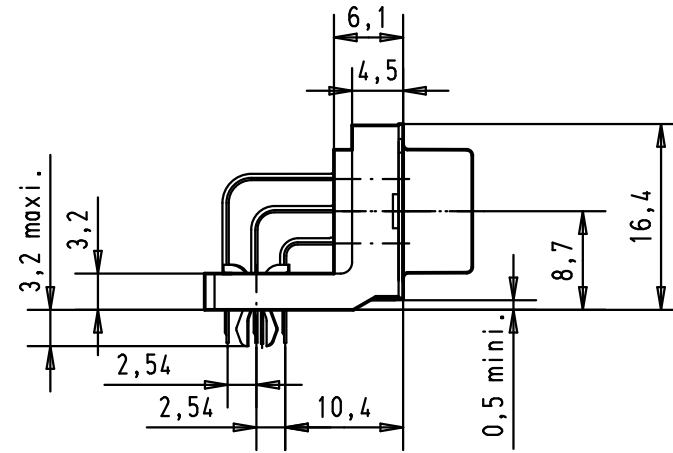
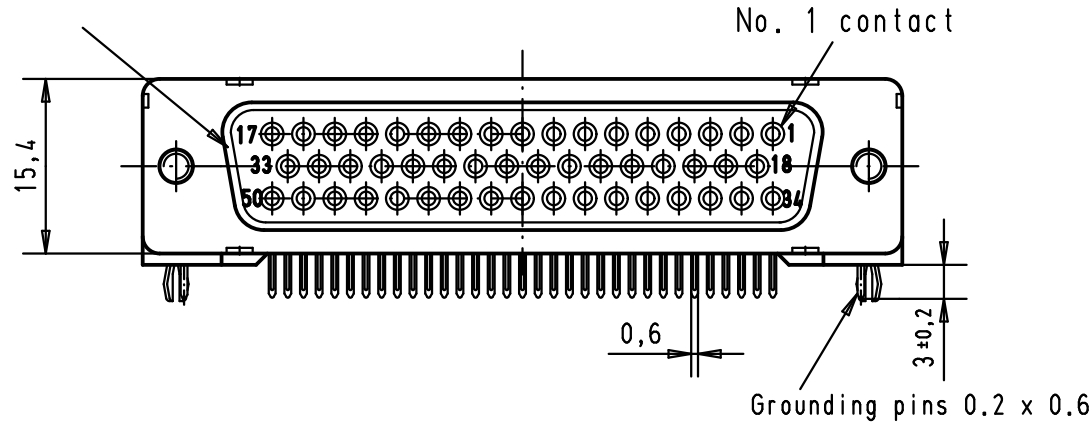
Tel: +86-755-8981 8866 Fax: +86-755-8427 6832

Email & Skype: info@chipsmall.com Web: www.chipsmall.com

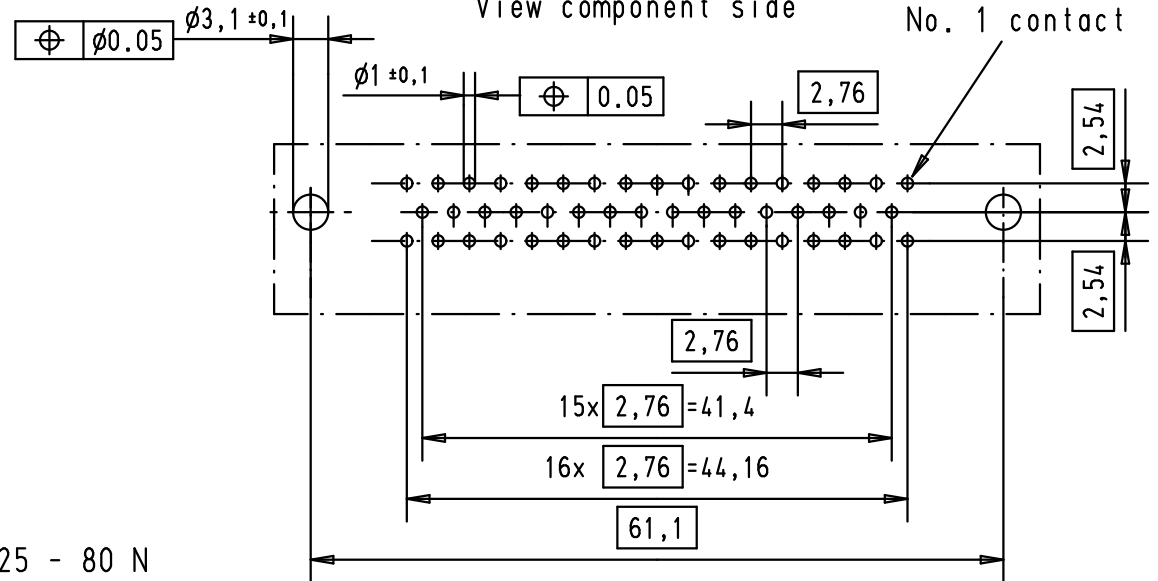
Address: A1208, Overseas Decoration Building, #122 Zhenhua RD., Futian, Shenzhen, China




Mating face according to MIL-C-24308 / DIN 41 652 / CECC 75301-802



Printed board layout (1.6 ± 0.2 thick)  
View component side



Mounting force on Printed board : 25 - 80 N

A	09 66 552 6611	M3	2							D-Sub female angled 50 poles with solder pins, nuts, board lock and grounding pins	Maßstab/ Scale 1,5:1	
	09 66 552 7611	M3	3									
	09 66 552 3611	M3	1	36285	16/12/11	SD	Detail.	17-OCT-01				JB
	09 66 552 6612	4-40 UNC	2	31084	04/09/02	YT	Insp.	16/12/11				JB
	09 66 552 7612	4-40 UNC	3	29743	10/01/02	S.H.	Stand.					
	09 66 552 3612	4-40 UNC	1	29722	17-OCT-01	JB	HARTING EURL F-95972 Paris					
	Part number	nut thread	Performance level	Mod.	Dat.	Name				TB 09 66 552 X61X Sub.	Blatt/ Page 1 / 1	